

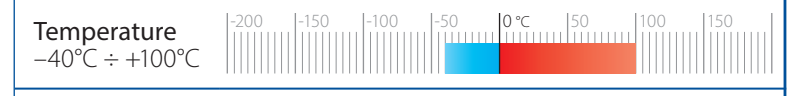
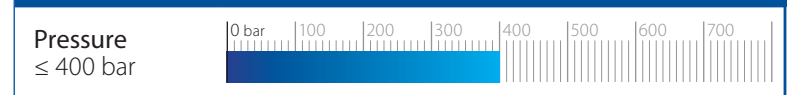
S



MATERIAL

	Type	Designation	Hardness
	Polyurethane	SEALPUR 93	93 °ShA

FIELD OF APPLICATION



Fluids Hydraulic oils (mineral oil based)
For other fluids contact our technical department

SURFACE ROUGHNESS

Dynamic surface	Ra ≤ 0.3 µm	Rt ≤ 2.5 µm
Static surface	Ra ≤ 1.6 µm	Rt ≤ 6.3 µm

GAP DIMENSION "g"

The largest gap dimension appearing in operation on the non-pressurised side:

100 bar	0.80 mm	300 bar	0.30 mm
200 bar	0.45 mm	400 bar	0.20 mm

LEAD-IN CHAMFERS

d	Smin
less 100	5 mm
100÷200	7 mm
over 200	10 mm

To avoid damaging the sealing lips during installation, housing must have rounded chamfers. Sharp edges and burrs within the installation area of the seal must be removed.

The above data are maximum values, they may be maintained for short periods and can not be used at the same time simultaneously.

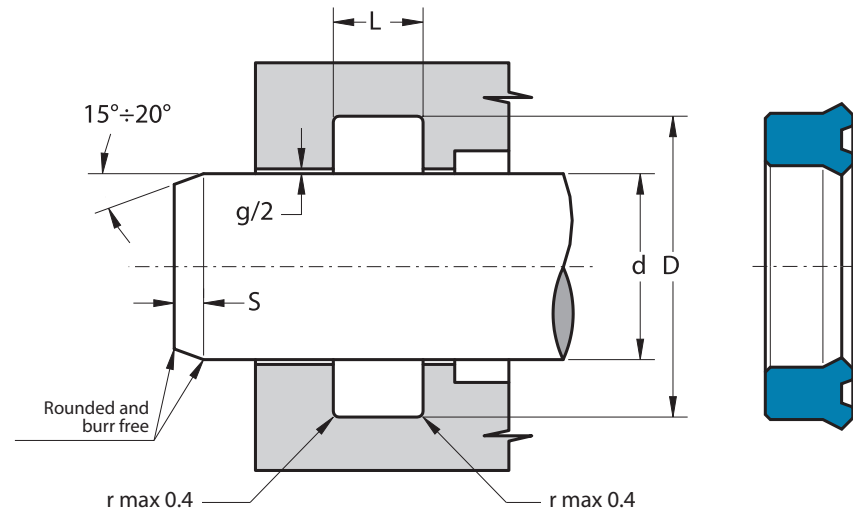
Thanks to its semicompact profile, the rod seal type Aston Seals S assures a good sealing performance as well as at low pressure.

It's designed to be less sensitive to pressure fluctuations than typical "U" seals.

The material used to produce this seal is a polyurethane compound that ensures excellent properties on wear-resistance, extended service life and resistance against extrusion.

- Good sealing performance as well as at low pressure
- Extended service life
- Excellent wear-resistance

- Good temperature resistance
- Insensitive to pressure fluctuation
- Easy installation without expensive auxiliaries



Part.	d ^{f7}	D ^{H10}	L ^{+0.25}
S 8 13 4	8	13.0	4.5
S 12 16 3.5	12	16.0	4.0
S 12 17 3.5	12	17.0	4.0
S 12 18 4.5	12	18.0	5.0
S 14 19 4.8	14	19.0	5.3
S 16 20 3.3	16	20.0	3.8
S 16 22 4	16	22.0	4.5
S 20 25 3.7	20	25.0	4.5
S 22 28 4.5	22	28.0	5.0
S 22 30 5.8	22	30.0	6.3
S 22 32 8	22	32.0	9.0
S 25 32 4	25	32.0	5.0
S 25 33 5.8	25	33.0	6.3
S 28 35 4	28	35.0	4.5
S 35 42 4.5	35	42.0	5.0
S 56 66 6.5	56	66.0	7.5
S 140 155.5 5.8	140	155.5	6.3

Inch sizes

S 3375 4375 0550	85.7	111.1	15.0
-------------------------	------	-------	------