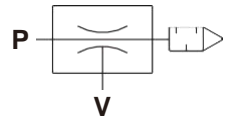


# VV Series Vacuum Generator

## Symbol



## Features

1. Port sizes: 1/8", 1/4", 3/8"
2. Durable and long life (except the silencer on exhaust port).

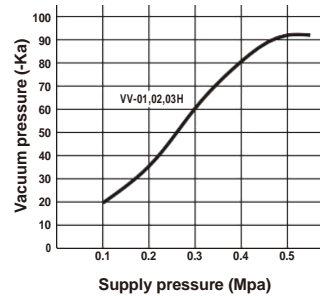


## How to order

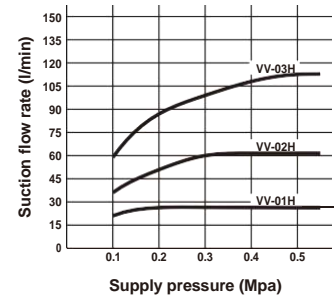
VV	—	01	N	H
		Port size	Thread	Standard type
		01:1/8"	Blank:G	
		02:1/4"	N :NPT	
		03:3/8"	R :Rc	

## Characteristics Table

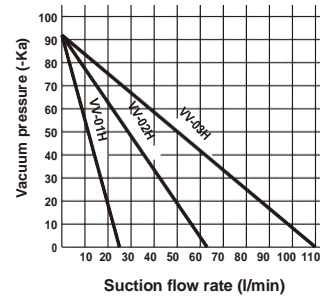
Vacuum pressure function



Max. Suction flow function



Vacuum function

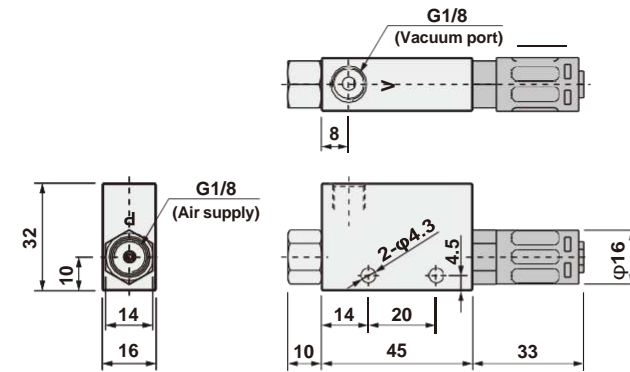


## Specifications

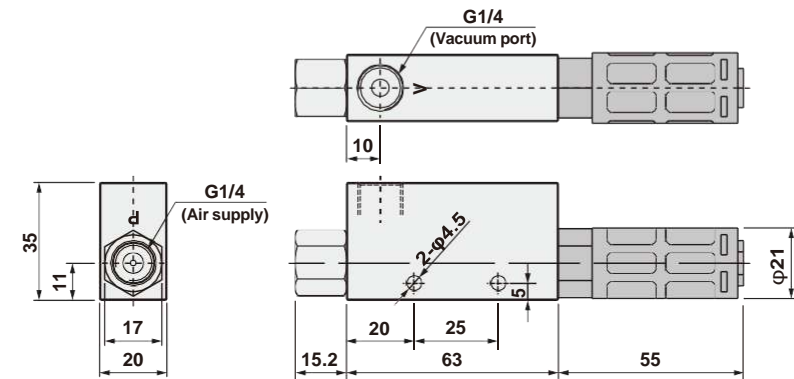
Model	VV-01H	VV-02H	VV-03H
Port size	1/8"	1/4"	3/8"
Body material	Aluminum alloy		
Fluid	Compressed air		
Ambient temperature	0°C ~ 60°C		
Working pressure	0.1 ~ 0.6Mpa		
Max. Vacuum degree	-91.8Kpa		
Nozzle diameter	φ1.0	φ1.5	φ2.0
Air consumption (l/min)	50	120	210
Supply air pressure	0.5Mpa (5 kgf/cm <sup>2</sup> )		
Net weight	72.1	138.5	368

## Dimensions

### VV-01H



### VV-02H



### VV-03H

