

Features

1. Quick acting agile response.
2. Plug with standard JPC design (with LED).
Nonpolarity design efficiently reduce possibility of short circuit.
3. Low power consumption 1.3W.



How to order

VM5252 - 01 N - S 9								
5/2 Way								
<table border="1"> <thead> <tr> <th>Port size</th> <th>Thread</th> <th>Solenoid</th> <th>Voltage</th> </tr> </thead> <tbody> <tr> <td>01 : 1/8"</td> <td>Blank : G N : NPT R : Rc</td> <td>S : Single solenoid D : Double solenoid</td> <td>7 : 12VDC 9 : 24VDC</td> </tr> </tbody> </table>	Port size	Thread	Solenoid	Voltage	01 : 1/8"	Blank : G N : NPT R : Rc	S : Single solenoid D : Double solenoid	7 : 12VDC 9 : 24VDC
Port size	Thread	Solenoid	Voltage					
01 : 1/8"	Blank : G N : NPT R : Rc	S : Single solenoid D : Double solenoid	7 : 12VDC 9 : 24VDC					

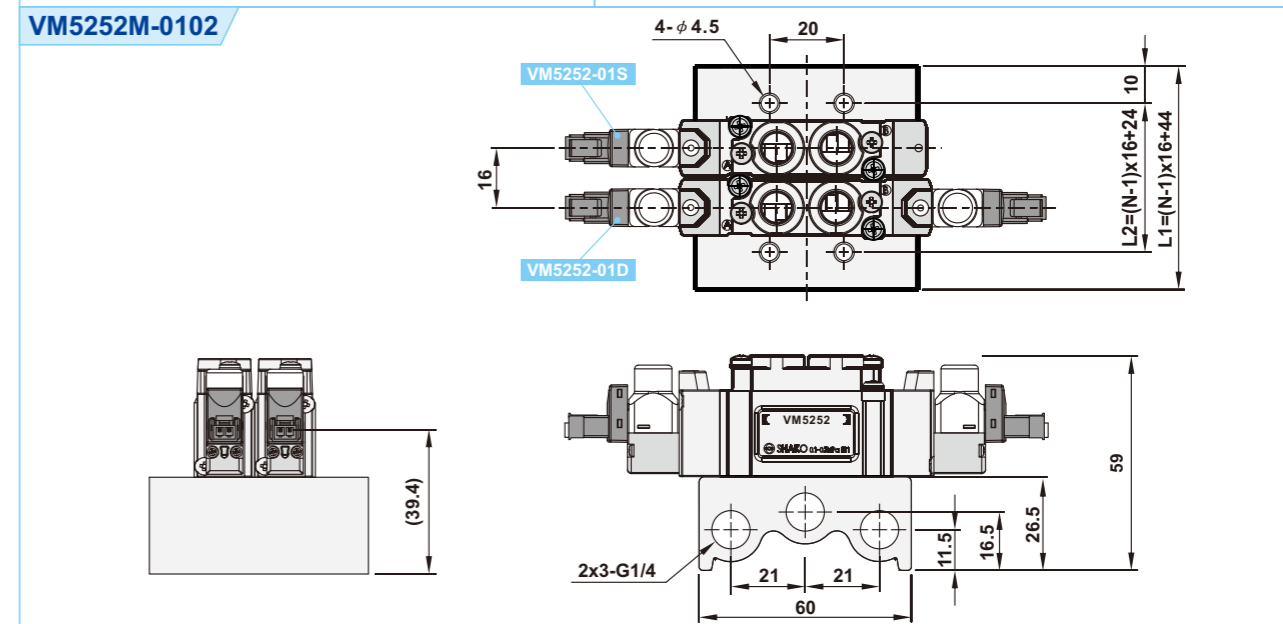
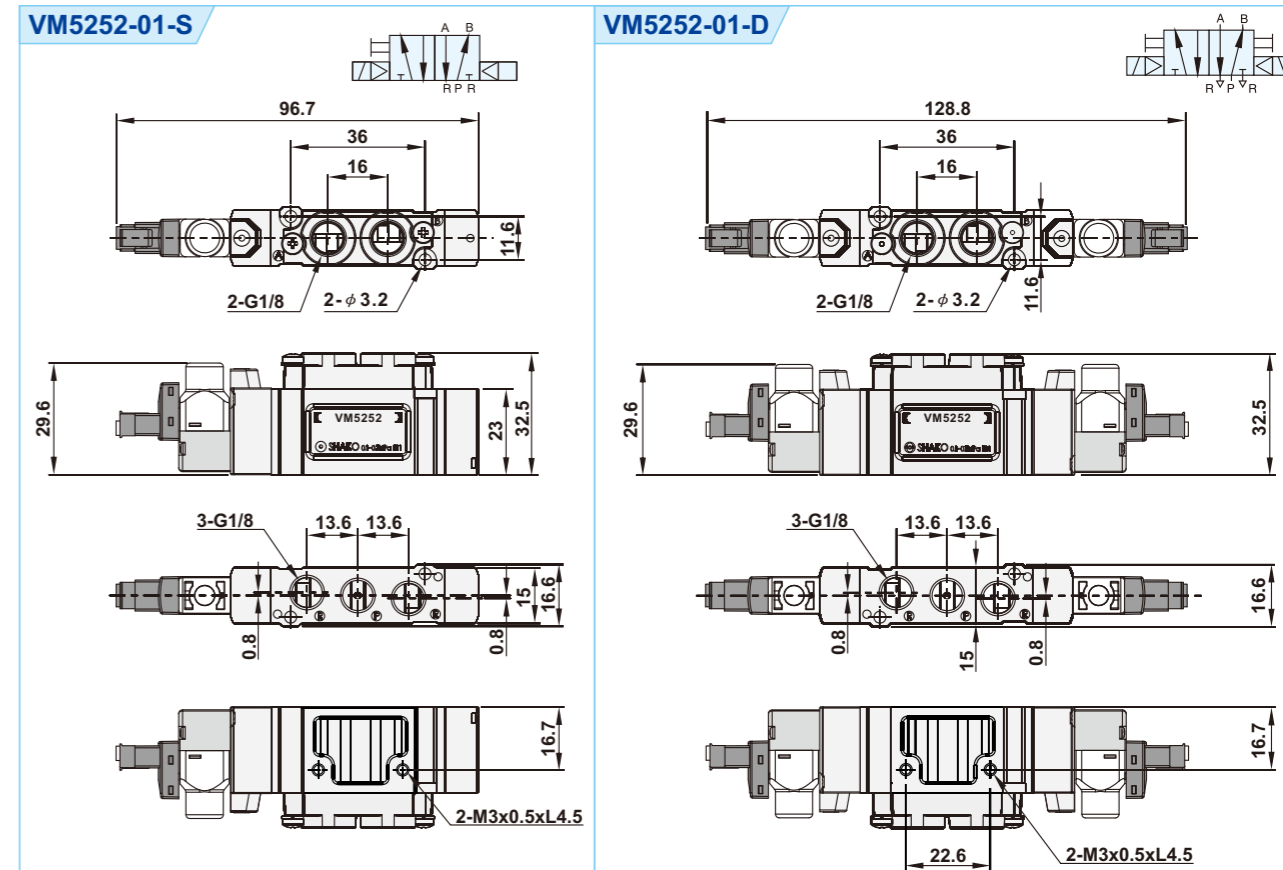
How to order manifold

VM5252M - 01 N 02						
<table border="1"> <thead> <tr> <th>Port size</th> <th>Thread</th> <th>Stations</th> </tr> </thead> <tbody> <tr> <td>01 : 1/8" (A & B Ports)</td> <td>Blank : G N : NPT R : Rc</td> <td>02 : 2 Stations 03 : 3 Stations XX : XX Stations</td> </tr> </tbody> </table>	Port size	Thread	Stations	01 : 1/8" (A & B Ports)	Blank : G N : NPT R : Rc	02 : 2 Stations 03 : 3 Stations XX : XX Stations
Port size	Thread	Stations				
01 : 1/8" (A & B Ports)	Blank : G N : NPT R : Rc	02 : 2 Stations 03 : 3 Stations XX : XX Stations				

Specifications

Model	VM5252-01-S	VM5252-01-D
Port size	1/8"	
Body material	Aluminum alloy	
Fluid	Compressed air	
Effective area	8.8mm ²	
Acting	Internal pilot	
Operating pressure range	1.5 ~ 7 kgf/cm ²	1 ~ 7 kgf/cm ²
Cycle rate	5Hz	
Proof pressure	8.0 kgf/cm ²	
Ambient temperature	-10°C ~ 50°C	
Duty cycle	100% ED	
Electrical connection	JPC plug connector	
Protection class	Dust proof	
Installation	Free direction	
Voltage tolerance	±10%	
Standard voltage (power)	12VDC, 24VDC	
Net weight	72g	93g

Dimensions



Number of station (N)	2	3	4	5	6	7	8	9	10
L1	60	76	92	108	124	140	156	172	188
L2	40	56	72	88	104	120	136	152	168