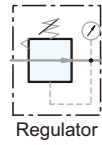


■ **Symbol**



■ **Features**

1. Constant and stable fluid pressure control, smallest influence for outlet pressure while inlet pressure is unstable.
2. Precision pressure setting, sensitivity within $\pm 0.5\%$ F.S.
3. Suitable for high precision tension control, balanced air pressure application.

Note: Please install filter UF series upstream to prevent from damage of water or dirt, so as for longer life of the pneumatic unit.



■ **How to order**

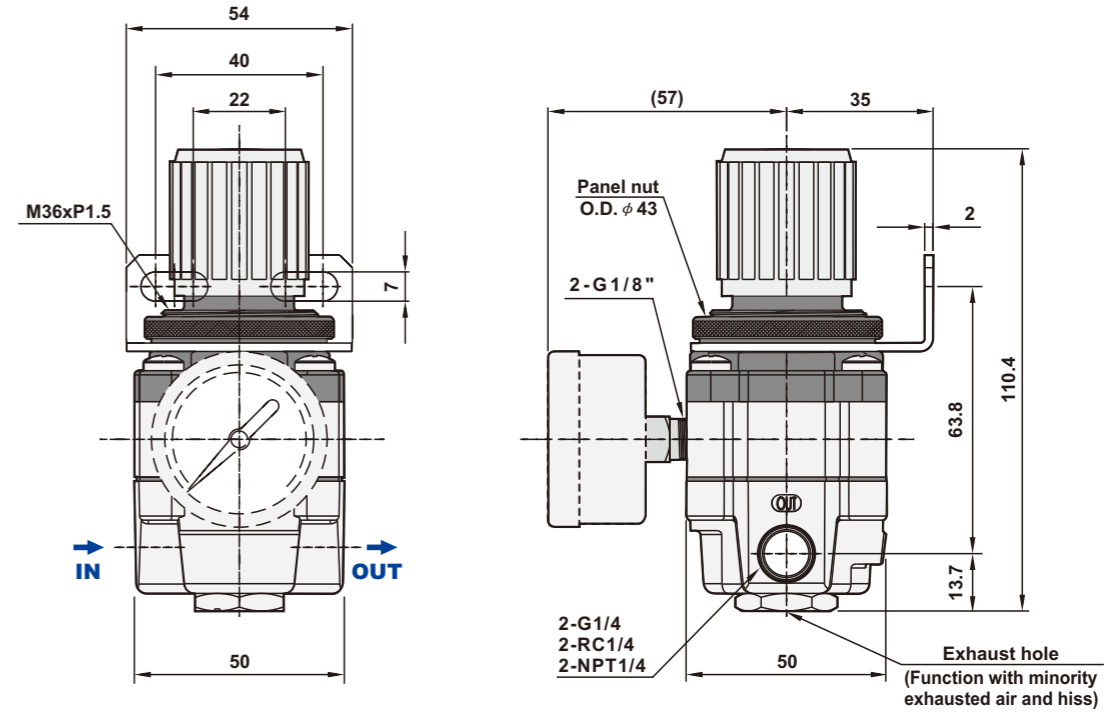
URP	—	O2	N	B	G
Precision Regulator		Port size	Thread	Mounting bracket	Pressure gauge
URP		: 0.1~8kgf/cm ²	Blank : G	Blank : W/O bracket	Blank : W/O gauge
URPL4		: 0.1~4kgf/cm ²	N : NPT	B : W/I bracket	G : W/I gauge
URPL2		: 0.05~2kgf/cm ²	R : Rc		

■ **Specifications**

Model	URP-02	URPL4-02	URPL2-02
Port size		1/4"	
Fluid		Compressed air	
Regulator construction		Diaphragm	
Body material		Aluminum die-cast	
Operating pressure range	0.1~8 kgf/cm ²	0.1~4 kgf/cm ²	0.05~2 kgf/cm ²
Proof pressure		10 kgf/cm ²	
Sensitivity		0.2% (F.S.)	
Repeatability (switch output)		$\pm 0.5\%$ (F.S.)	
Ambient temperature		-5°C ~ 60°C	
Standard color of regulating knob	Blue	Orange	Yellow
Net weight	345g (Exclusive of pressure gauge, mounting bracket)		
Accessories	Plug, Panel mounting nut		
Option	Mounting bracket, pressure gauge (Please refer to P1-72 for selection)		

■ **Dimensions**

URP-02



■ **Panel Bore Size**

