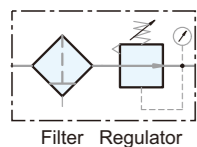


### Symbol



### Features

1. Remove water and particle effectively.
2. 40µm and 5µm filter element are easily interchangeable and replaceable.
3. Accurate and easy pressure setting.



### How to order

<b>UCFR</b>	<b>-</b>	<b>02</b>	<b>N</b>	<b>C</b>	<b>G</b>	<b>H</b>	<b>A</b>
Filter Regulator	Port size	Thread	Filtration	Gauge type	Drain	Bowl	
	02 :1/4"	Blank :G	PE	Blank :Square	Blank :Semi-auto drain	Blank :Standard bowl	
	03 :3/8"	N :NPT	Blank :5µm	G :Circle	H :Manual drain	A :Anti-acid & alkali bowl	
	04 :1/2"	R :Rc	C :40µm		D :Auto drain	AL :Aluminum bowl	
			Sintered brass				
			S :5µm				
			T :40µm				

Please contact our sales for non-relieving type.

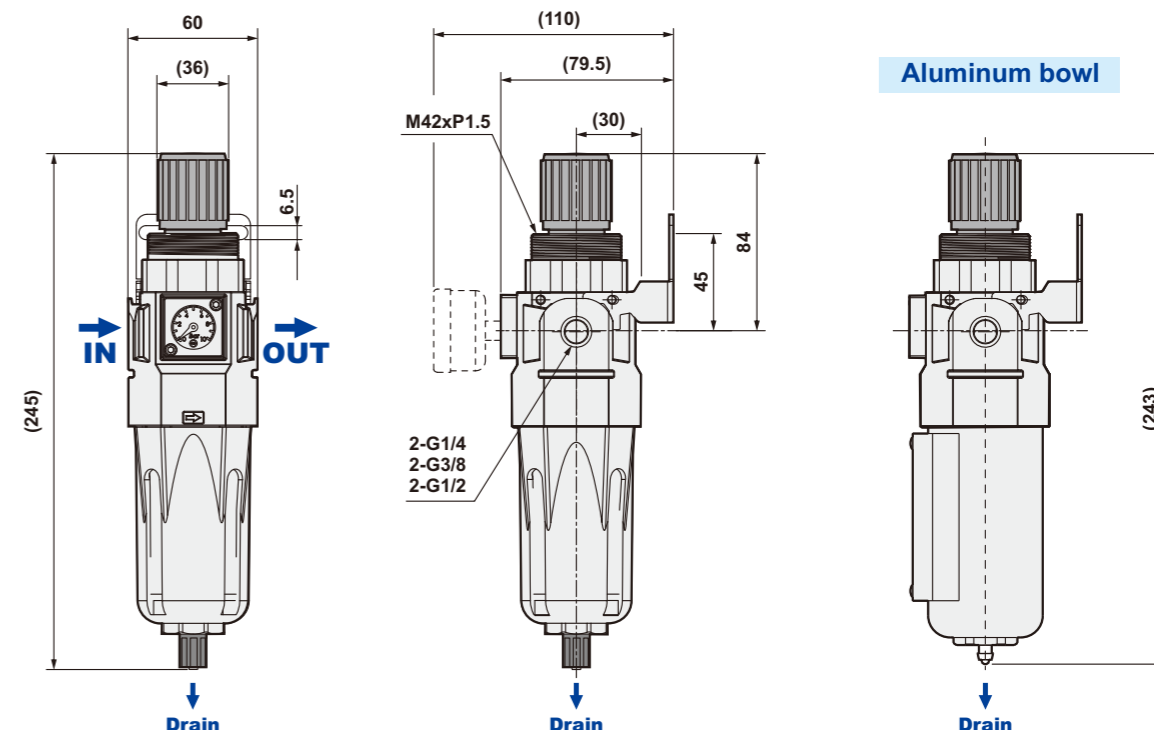
\*For non-relieving type, the secondary pressure is not allowed to be exhausted when it is higher than setting pressure.

### Specifications

Model	UCFR-02	UCFR-03	UCFR-04
Port size	1/4"	3/8"	1/2"
Fluid	Compressed air		
Regulator construction	Piston		
Body material	Aluminum die-cast		
Bowl material	Polycarbonate (Standard), Anti-acid & alkali bowl (Option), Aluminum bowl (Option)		
Filtration	PE: 5µm (Standard), 40µm (Option); Sintered brass (Option): 5µm, 40µm		
Operating pressure range	0.5 ~ 10 kgf/cm <sup>2</sup>		
Max. inlet pressure	15 kgf/cm <sup>2</sup>		
Max. flow rate l/min (ANR) 40µm	2080	2100	2600
Ambient temperature	-10°C ~ 60°C		
Filter bowl capacity	105cc		
Standard drain	Semi-auto drain (Drains below 0.5kgf/cm <sup>2</sup> )		
Net weight	810g (Al bowl 1110g)		
Accessories	Mounting bracket set, Plug		
Option	Mounting nut		

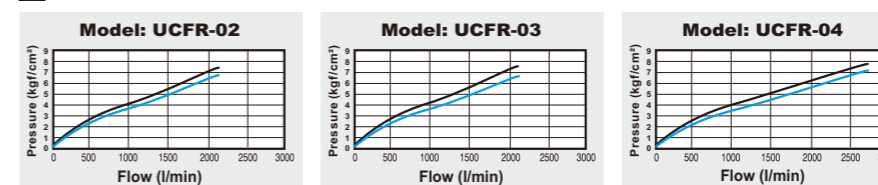
### Dimensions

#### UCFR-02, 03, 04



Aluminum bowl

### Flow chart



#### Note:

X axis: Flow (l/min)  
 Y axis: Pressure (kgf/cm<sup>2</sup>)  
 Blue line (P0)= Outlet pressure  
 Black line (P1)= Inlet pressure  
 P1-P0= Pressure range