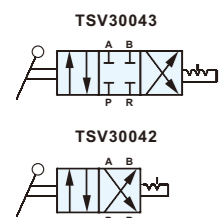


TSV Series

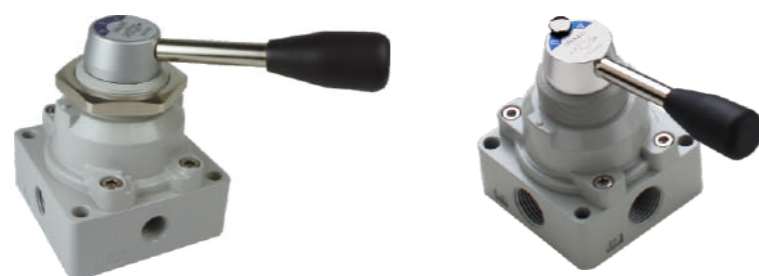
4/2, 4/3 Way Rotary Valve

Symbol



Features

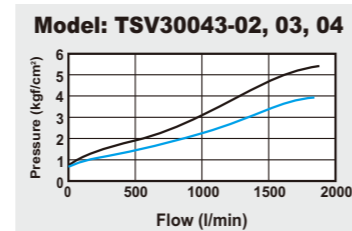
1. Simply operating.
2. Large flow rate.
3. High safety.
4. Light weight.
5. 4 kinds of installation.
6. Twist lock is optional for safety operation.



How to order

TSV30043 - 02	N	B
TSV30043: 4/3 Way	Port size	Thread
TSV30042: 4/2 Way	02 : 1/4"	Blank : G
	03 : 3/8"	N : NPT
	04 : 1/2"	R : Rc
		Blank : Standard
		B : Ports on bottom
		C : With twist lock
		P : With panel mounting

Flow chart

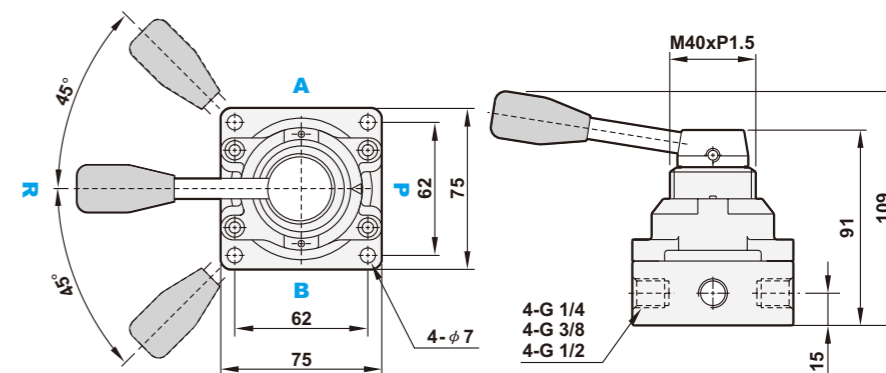


Specifications

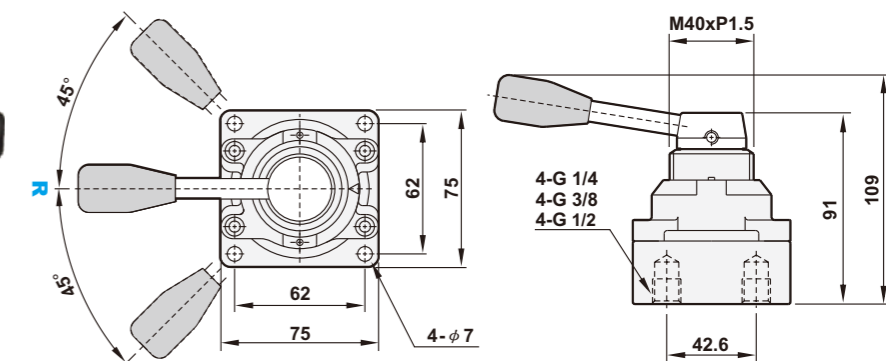
Model	TSV30043(2)-02	TSV30043(2)-03	TSV30043(2)-04
Port size	1/4"	3/8"	1/2"
Body material	Aluminum alloy		
Panel dimension	M40 x P1.5 (For panel mounting only)		
Fluid	Compressed air		
Sectional area	18mm ²		
Operating pressure range	0 ~ 9 kgf/cm ²		
Proof pressure	10kgf/cm ²		
Ambient temperature	-10°C ~ 60°C		
Net weight	600g	580g	560g

Dimensions

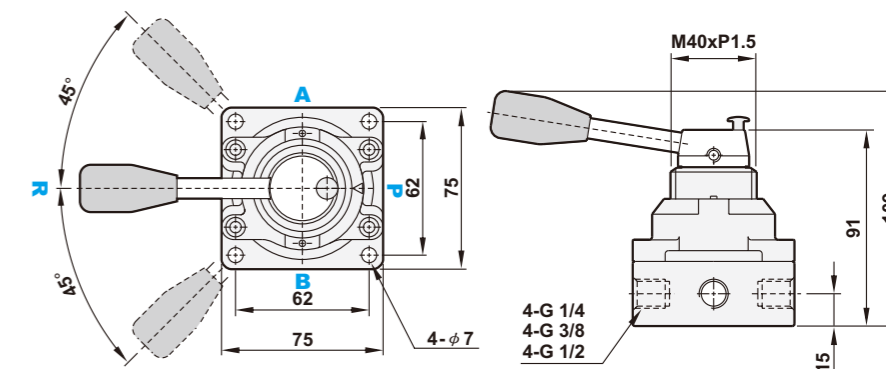
TSV30043-02,03,04



TSV30043-02,03,04 (B)



TSV30043-02,03,04 (C)



TSV30043-02,03,04 (P)

