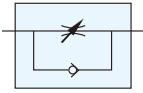


## Symbol



## Features

- SV series valves provide the finest control of piston speed for cylinders.



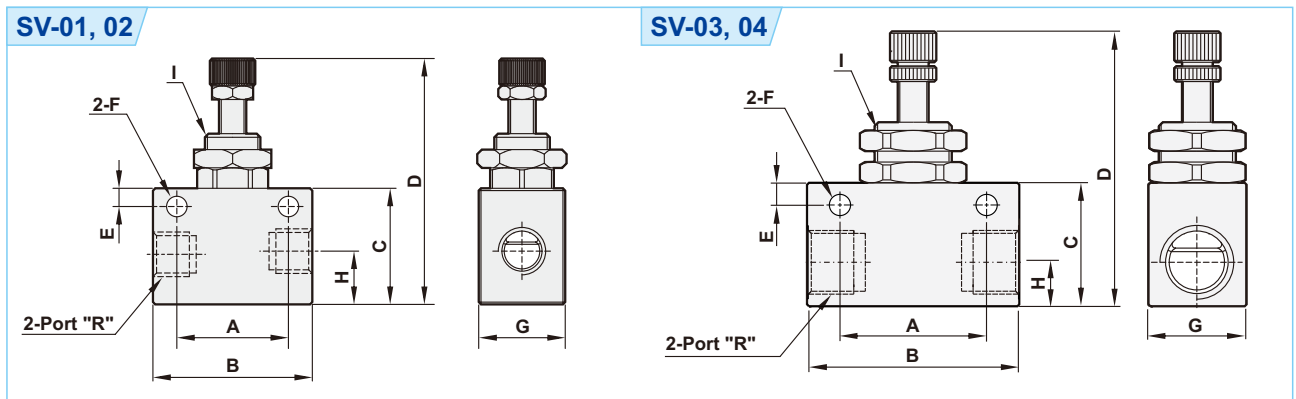
## How to order

<b>SV</b>	<b>-</b>	<b>01</b>	<b>N</b>
<b>Speed control valve (Precise type)</b>	<b>Port size</b>	<b>Thread</b>	
	<b>01</b> : 1/8"	<b>Blank</b> : G	
	<b>02</b> : 1/4"	<b>N</b> : NPT	
	<b>03</b> : 3/8"	<b>R</b> : Rc	
	<b>04</b> : 1/2"		

## Specifications

Model	SV-01	SV-02	SV-03	SV-04
Port size	1/8"	1/4"	3/8"	1/2"
Body material	Aluminum alloy			
Fluid	Compressed air			
Sectional area	3.8mm <sup>2</sup>	6mm <sup>2</sup>	38mm <sup>2</sup>	48mm <sup>2</sup>
Operating pressure range	0 ~ 9.9 kgf/cm <sup>2</sup>			
Proof pressure	10 kgf/cm <sup>2</sup>			
Ambient temperature	-10°C ~ 80°C			

## Dimensions



Model	R	A	B	C	D	E	F	G	H	I
SV-01	1/8"	24.5	35	25.5	58	4	φ 4.5	19	11.7	M12xP1.0
SV-02	1/4"	24.5	35	25.5	58	4	φ 4.5	19	11.7	M12xP1.0
SV-03	3/8"	38	52	32	72.8	4.8	φ 5.5	24	14.2	M18xP1.25
SV-04	1/2"	38	52	36	80.5	5.5	φ 5.5	28	15.2	M22xP1.25