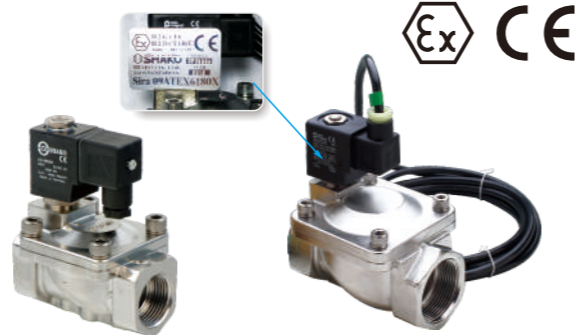


### Features

1. Pilot acting for low starting pressure.
2. Large flow rate and high working pressure.
3. Quick response.
4. Stainless steel body and stem provide exceptional durability.
5. Flange type is available for JIS 10K, ANSI 150LB and PN16.
6. Ex-proof coil T4 as optional accessory, please refer to page 5-9.
7. Timer for setting on/off time as optional accessory.
8. CE and EX-proof certified.
9. Coil nut is available, please refer to page 5-3.



### How to order

SPU225A	N	E	F	—	O3	N	—	S1	L	E
Stainless steel	Acting style	Diaphragm	Flange type	Port size	Thread	Voltage	LED	Ex-Proof coil		
Pilot acting	Blank :Normally closed N :Normally open	Blank :VITON B :NBR E :EPDM H :HNBR	Blank :W/O Flange F :10K F3 :150LB F4 :PN16	03 :3/8" 04 :1/2" 06 :3/4" 08 :1" 12 :1 1/4" 14 :1 1/2" 20 :2"	Blank :G N :NPT R :Rc	S1 :110VAC S2 :220VAC S6 :24VAC S7 :12VDC S9 :24VDC	Blank :W/O LED L :W/I LED	Blank :Standard E :Ex-proof coil		

### How to order Repair kit

ZGPU225A	—	O3	N	Description	Qty.
Repair kit	Port size	Diaphragm		Plunger	1
ZGPU225A (Normally closed)	03 :3/8", 1/2"	N :NBR		Spring	2
ZGPU225AN (Normally open)	06 :3/4", 1" 12 :1-1/4", 1-1/2" 20 :2"	V :VITON E :EPDM H :HNBR		Diaphragm	1

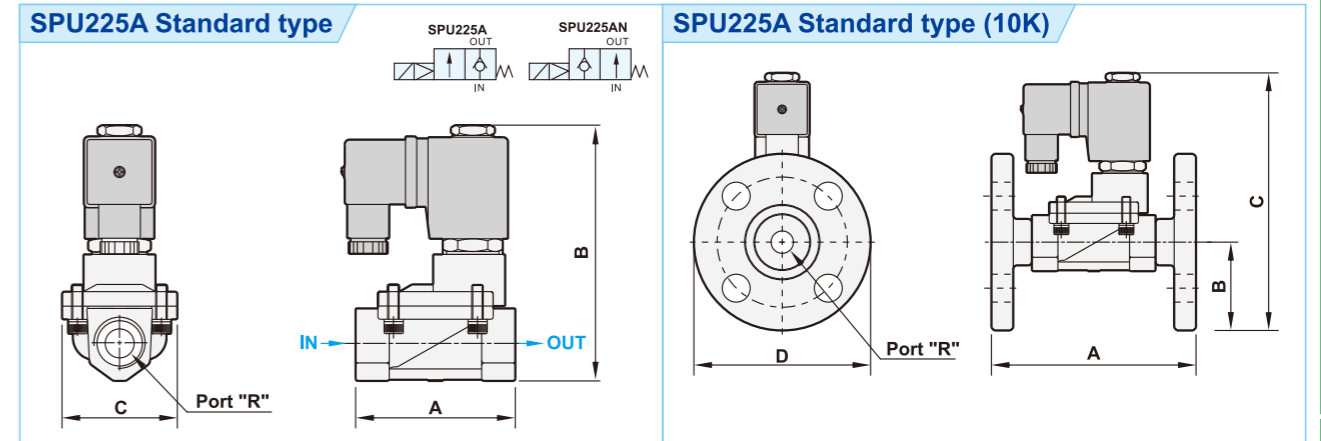
### Specifications

Model	SPU225A-03	SPU225A-04	SPU225A-06	SPU225A-08	SPU225A-12	SPU225A-14	SPU225A-20
Port size	3/8"	1/2"	3/4"	1"	1-1/4"	1-1/2"	2"
Fluid	Compressed air (light oil, water)						
Aseries orifice	Ø13mm		Ø25mm		Ø38mm		Ø50mm
Effective area	88mm <sup>2</sup>		230mm <sup>2</sup>		404mm <sup>2</sup>	552mm <sup>2</sup>	883mm <sup>2</sup>
Acting	Pilot acting						
Diaphragm	VITON (Standard), NBR, EPDM (Option)						
Operating pressure range	0.5 ~ 10 kgf/cm <sup>2</sup>						
Proof pressure	15 kgf/cm <sup>2</sup>						
Body /Flange material	Stainless steel SUS316 / SUS304,SUS316						
Fluid temperature	-10°C ~ 90°C						
Ambient temperature	-10°C ~ 60°C						
Installation	Horizontal						
Duty cycle	100% ED						
Coil type	DIN						
Protection class	IP65 (DIN 40 050)						
Insulation class	F						
Voltage tolerance	±10%						
Standard voltage	220VAC, 110VAC, 24VDC, the other voltage is optional						
Power consumption	Normally closed AC110V: 17.6VA; AC220V: 18.1VA; DC: 15W/Normally open AC: 17.8VA; DC: 15W						
Net weight	775g		1550g		2820g		4665g

### Seal material selection guide

Seal	Temperature range	Suitable fluid	Unsuitable fluid
NBR	-15°C ~ 80°C	Air, Water, Neutral gases, Mineral oil	Fuel oil, Gasoline and Hi-test gasoline, Diesel fuel
HNBR	-40°C ~ 150°C	Air, Water, Gear oil, Engine oil	Pharmaceutical liquid, Gasoline and Hi-test gasoline, Light oil
VITON	-10°C ~ 180°C	Fuel oil, Gasoline and Hi-test gasoline, Diesel fuel	Hot water, Steam, Brake oil (ATE Blue)
EPDM	-5°C ~ 130°C	Hot water, Detergent liquid	Mineral oil, Gasoline

### Dimensions

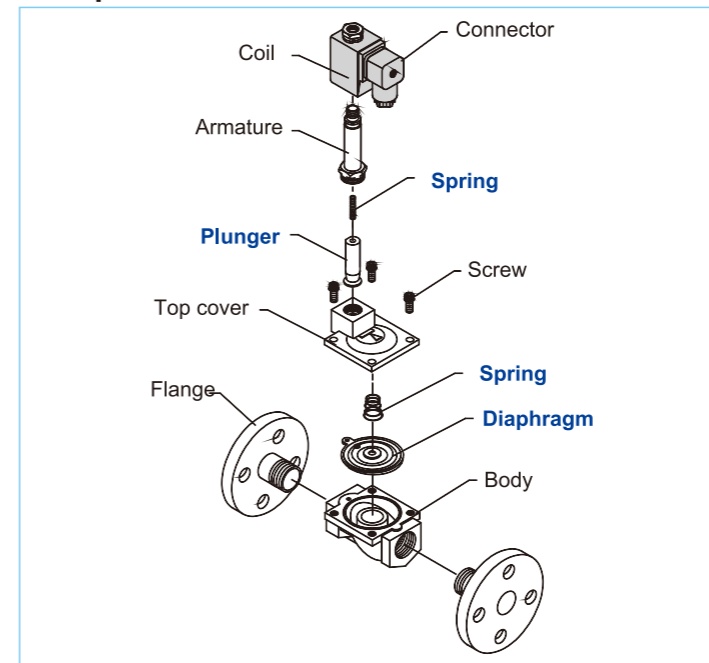


Model	R	A	B	C	D
SPU225A-03	3/8"	66.5	106.5	48	
SPU225A-04	1/2"	66.5	106.5	48	
SPU225A-06	3/4"	100	126.5	75	
SPU225A-08	1"	100	126.5	75	
SPU225A-12	1 1/4"	131.5	145.5	96	
SPU225A-14	1 1/2"	131.5	145.5	96	
SPU225A-20	2"	160	160.5	112	

Model	R	A	B	C	D
SPU225AF-03	3/8"	110	45	137	90
SPU225AF-04	1/2"	110	47.5	139.5	95
SPU225AF-06	3/4"	149	50	152.5	100
SPU225AF-08	1"	150	62.5	164	125
SPU225AF-12	1 1/4"	180	67.5	173	135
SPU225AF-14	1 1/2"	180	70	182.5	140
SPU225AF-20	2"	210	77.5	210	155

### Explosion



### Flow chart

