

Features

1. Medium and compact size, 18mm width solenoid valve.
2. Manual override design for easy test and operation.
3. Anodized aluminum body and strict quality control provide a long durability.
4. The mounting position is identical to the counter product from the famous Japanese brand.
5. Coil nut is available, please refer to page 5-2.



How to order

SM520	X	-	O1	N	-	S	2	D	L
520 : 5/2 Way	Acting style		Port size	Thread		Solenoid	Voltage	Coil type	LED
530 : 5/3 Way	Blank : Standard 5/3 Way Blank : Closed center X : Exhaust center Y : Pressurized center		01 : 1/8"	Blank : G N : NPT R : Rc		S : Single solenoid D : Double solenoid	1 : 110VAC 2 : 220VAC 6 : 24VAC 7 : 12VDC 9 : 24VDC	Blank : Lead wire D : DIN	Blank : W/O LED L : W/I LED

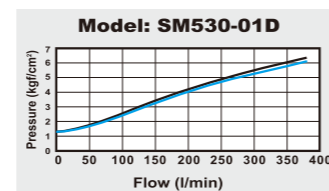
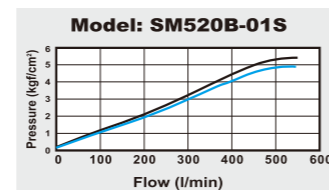
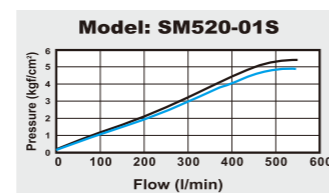
How to order manifold

MF52S	-	O1	N	O2
			Thread	Stations
			Blank : G N : NPT R : Rc	02 : 2 Stations 03 : 3 Stations XX : XX Stations

Specifications

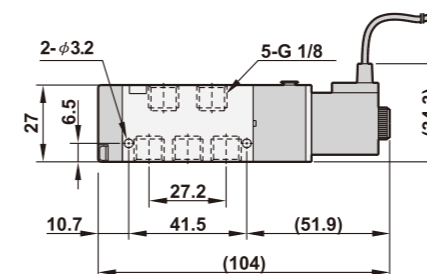
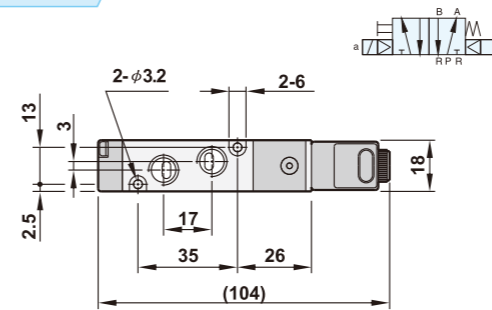
Model	SM520-01-S	SM520-01-D	SM530-01-D
Port size		1/8"	
Body material		Aluminum alloy	
Fluid		Compressed air	
Acting		Internal pilot	
Effective area		11mm ²	9mm ²
Operating pressure range		1.5~8 kgf/cm ²	2~7 kgf/cm ²
Proof pressure		9.9 kgf/cm ²	
Ambient temperature		-10°C ~ 60°C	
Duty cycle		100% ED	
Coil type		Lead wire (Standard), DIN (Option)	
Protection class		IP65 (DIN 40 050)	
Insulation class		F	
Voltage tolerance		±10%	
Standard voltage		220VAC, 110VAC, 24VDC (The other voltage is optional)	
Net weight	125g	195g	215g

Flow chart

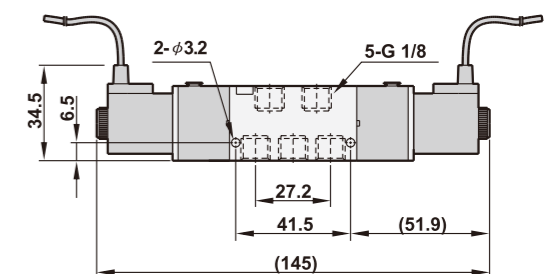
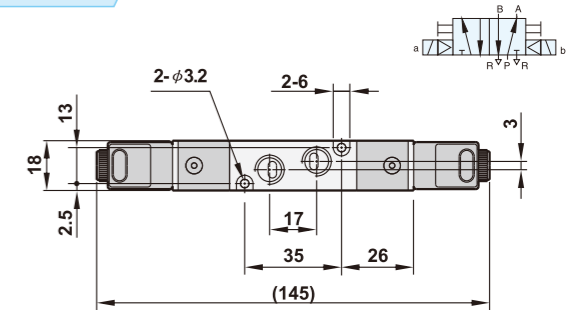


Dimensions

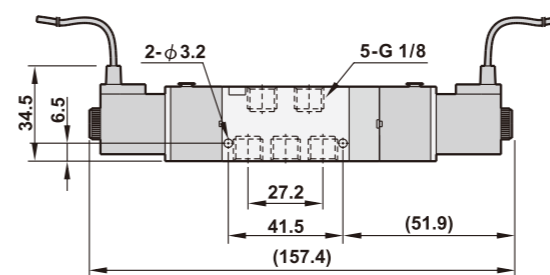
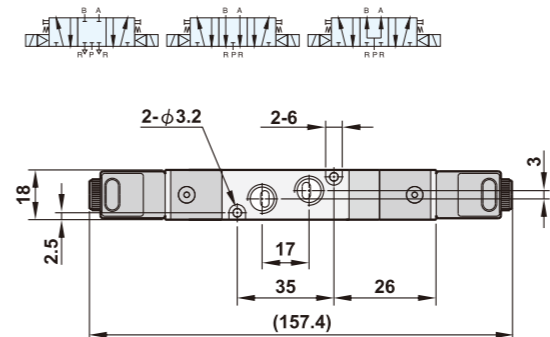
SM520-01-S



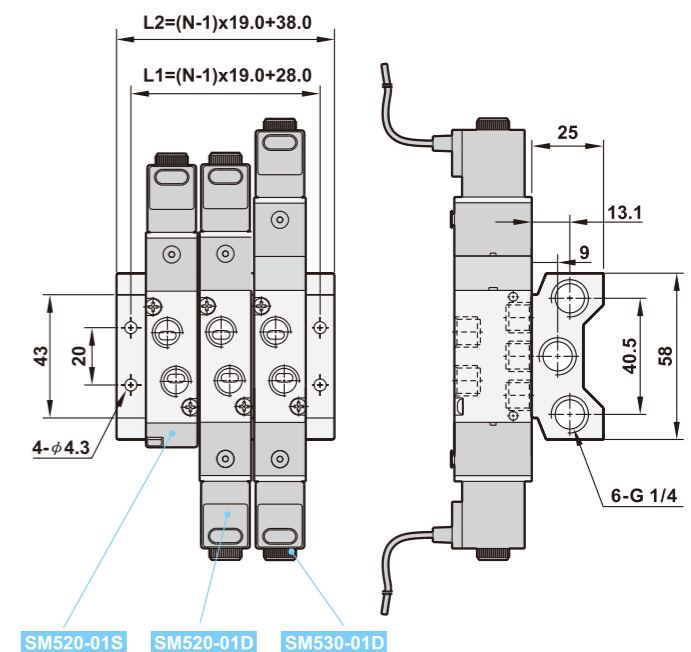
SM520-01-D



SM530(X)(Y)-01-D



MF52S-0103



Number of station (N)	2	3	4	5	6	7	8	9	10
L1	47.0	66.0	85.0	104.0	123.0	142.0	161.0	180.0	199.0
L2	57.0	76.0	95.0	114.0	133.0	152.0	171.0	190.0	209.0