

Features

- * Suitable for flammable working environments.
- * The valve is actuated by air for accurate response.



How to order

SA520

X

01

N

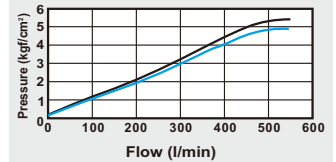
S

| SA pneumatic valves series | |
|----------------------------|--|
| 52 | 5/2 way |
| 53 | 5/3 way valve is only available for double pneumatic control |

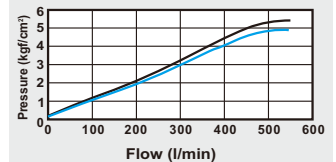
| Acting style | | Port size | | Thread | | Pneumatic control | |
|--------------|------------------------|-----------|------|--------|-----|-------------------|------------------|
| Blank | Standard | 01 | 1/8" | Blank | G | S | Single pneumatic |
| X | 5/3 way Exhaust center | | | N | NPT | D | Double pneumatic |
| Y | Pressurized center | | | R | Rc | | |

Flow chart

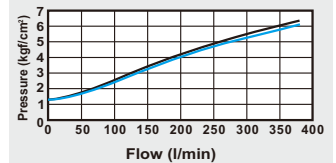
Model: SA520-01S



Model: SA520-01D



Model: SA530-01D

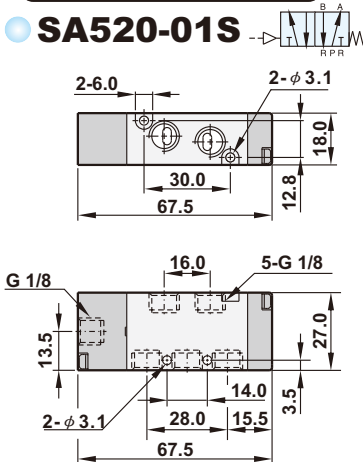


Specifications

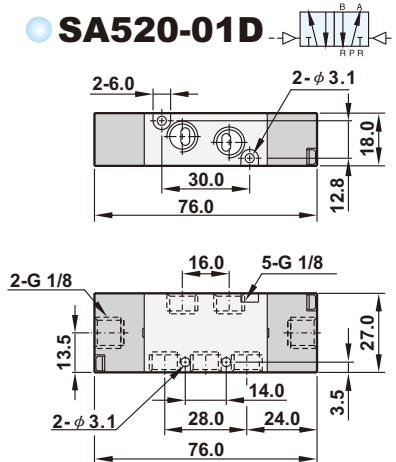
| Model | SA520-01S | SA520-01D | SA530-01D |
|--------------------------|---|------------------|-----------|
| Port size | 1/8" | | |
| Body material | Aluminum alloy | | |
| Effective area | 11mm ² | 9mm ² | |
| Fluid | Compressed air | | |
| Acting | External pilot (1.5 ~ 7 kgf/cm ²) | | |
| Operating pressure range | 0 ~ 8 kgf/cm ² | | |
| Proof pressure | 9.99 kgf/cm ² | | |
| Ambient temperature | -10°C ~ 80°C | | |
| Net weight | 70g | 75g | 110g |

Dimensions

SA520-01S



SA520-01D



SA530(X)(Y)-01D

