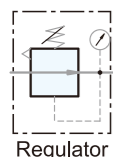


Symbol



Features

1. Accurate and easy pressure setting.
2. Panel mounting is available.

How to order

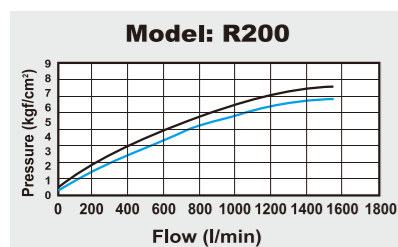
| | | | | | |
|---------------------|------------------------|--------------------------------|--|------------------------------------|---------------------------------|
| R200 | 02 | N | B | G | V |
| Miniature Regulator | Port size | Thread | Mounting bracket | Pressure gauge | Function option |
| | 01 : 1/8" 02 : 1/4" | Blank : G N : NPT R : Rc | Blank : W/O bracket B : W/I bracket | Blank : W/O gauge G : W/I gauge | Blank : Relief V : No-Relief |

*For non-relieving type, the secondary pressure is not allowed to be exhausted when it is higher than setting pressure.

Specifications

| Model | R200 |
|----------------------------|--------------------------------------|
| Port size | 1/8" , 1/4" |
| Fluid | Compressed air |
| Regulator construction | Piston |
| Body material | Aluminum die-cast |
| Operating pressure range | 0.5 ~ 8 kgf/cm ² |
| Max. inlet pressure | 12 kgf/cm ² |
| Max. flow rate l/min (ANR) | 1550 |
| Ambient temperature | -10°C ~ 60°C |
| Net weight | 205g |
| Accessories | Plug |
| Option | Pressure gauge, Mounting bracket set |

Flow chart

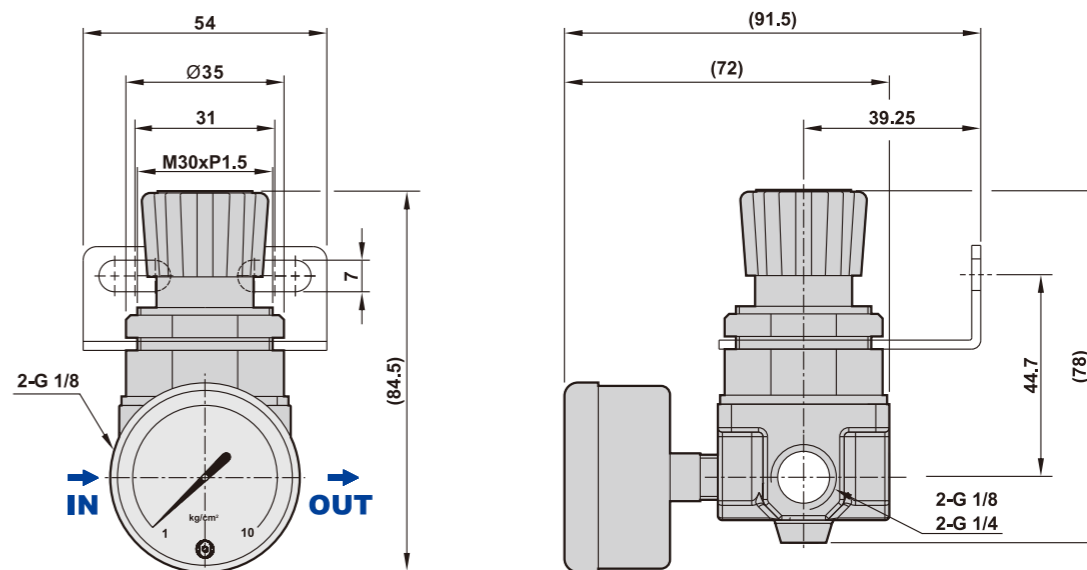


Note:

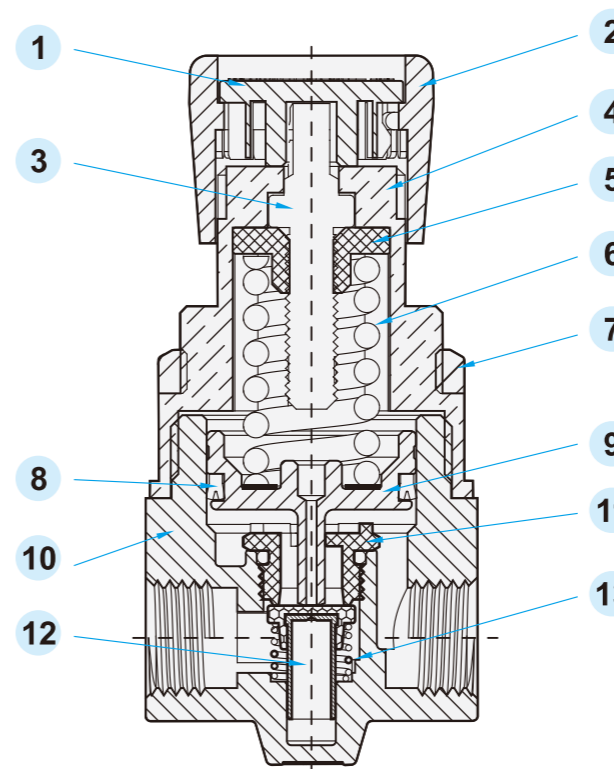
X axis: Flow (l/min)
Y axis: Pressure (kgf/cm²)
Blue line (P0) = Outlet pressure
Black line (P1) = Inlet pressure
P1-P0= Pressure range

Dimensions

R200-01, 02



Construction



| No. | Description | Material |
|-----|---------------------------|--------------|
| 1 | Regulator dome | NY |
| 2 | Regulator knob | NY |
| 3 | Pressure regulating screw | Fe+Ni |
| 4 | Regulator base | NY+GF |
| 5 | Pressure regulating nut | Cu+Ni |
| 6 | Spring | Spring steel |
| 7 | Lock nut | NY+GF |
| 8 | U type seal | NBR |
| 9 | Piston | POM |
| 10 | Body | ADC12 |
| 11 | Positioning nut | POM |
| 12 | Regulator stem | Cu+NBR |
| 13 | Spring | Spring steel |