

Features

1. Medium size, large flow rate.
2. Lockable manual override for easy operation.
3. Anodized aluminum body and strict quality control provide a long durability.
4. Coil nut is available, please refer to page 5-1.



How to order

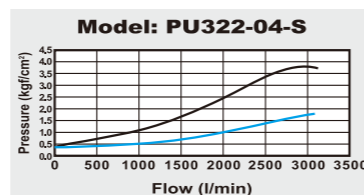
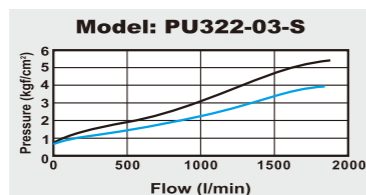
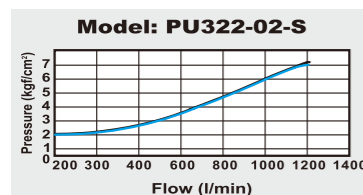
PU322	N	-	02	N	-	S	2	L	E1
3/2 Way	Acting style	Port size	Thread	Solenoid	Voltage	Led	Coil type		
	Blank : Normally closed N : Normally open	02 : 1/4" 03 : 3/8" 04 : 1/2"	Blank : G N : NPT R : Rc	S : Single solenoid	1 : 110VAC 2 : 220VAC 6 : 24VAC 7 : 12VDC 9 : 24VDC	Blank : W/O LED L : W/I LED	Blank : DIN F : Lead wire E1 : EX-proof 22mm width E2 : EX-proof 30mm width E3 : EX-proof CSA standard		

* Please refer to page 5-10 for the details of ex-proof coil.

Specifications

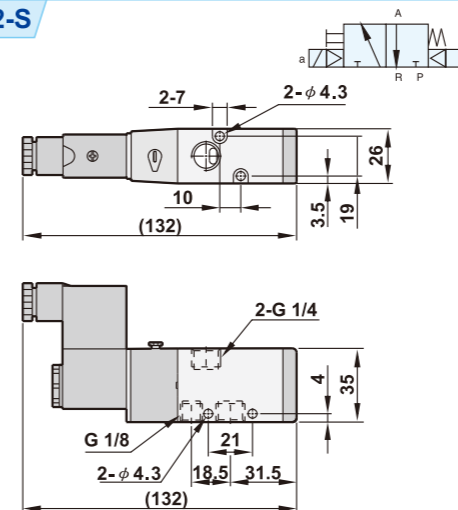
Model	PU322(N)-02-S	PU322(N)-03-S	PU322(N)-04-S
Port size	1/4"	3/8"	1/2"
Body material	Aluminum alloy		
Fluid	Compressed air		
Effective area	18mm ²	35mm ²	70mm ²
Acting	Internal pilot		
Operating pressure range	2 ~ 8 kgf/cm ²		
Proof pressure	9.9 kgf/cm ²		
Ambient temperature	-10°C ~ 50°C		
Duty cycle	100% ED		
Coil type	DIN (Standard)		
Protection class	IP65 (DIN 40 050)		
Insulation class	F		
Voltage tolerance	± 10%		
Standard voltage	220VAC, 110VAC, 24VDC (The other voltage is optional)		
Net weight	280g	450g	685g

Flow chart

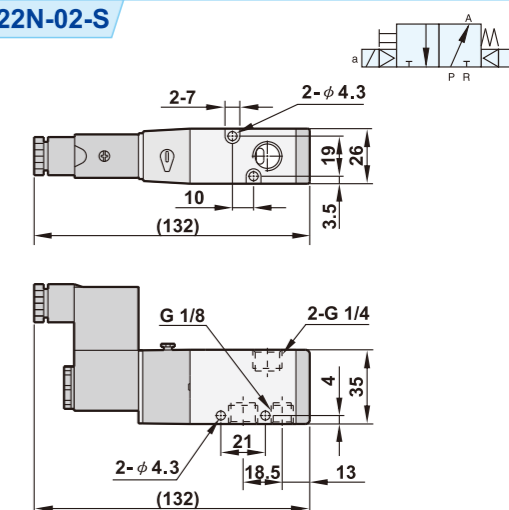


Dimensions

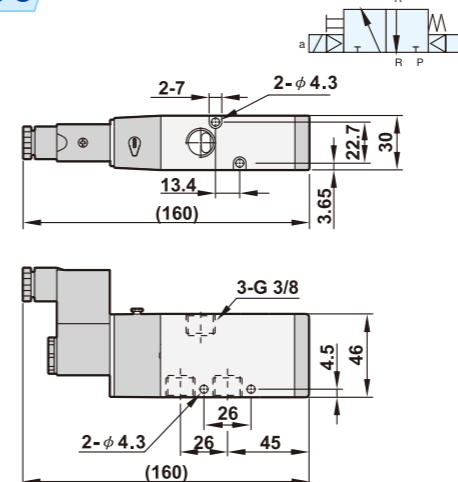
PU322-02-S



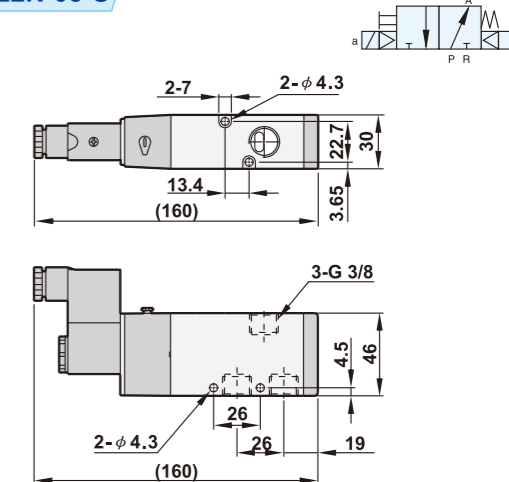
PU322N-02-S



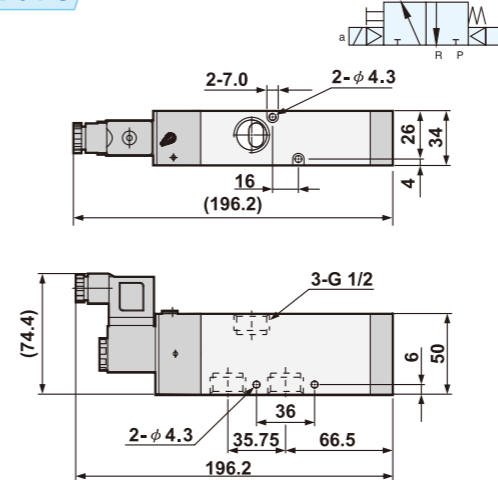
PU322-03-S



PU322N-03-S



PU322-04-S



PU322N-04-S

