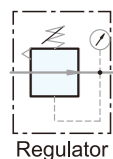


Symbol



Features

1. Diaphragm design provides more accurate and easier pressure setting.
2. Panel mounting is available.



How to order

NR200	—	O2	N	B	G
Miniature Regulator	Port size	Thread	Mounting bracket	Pressure gauge	
NR200	: 0.5~8kgf/cm ²	01 : 1/8"	Blank : G	Blank : W/O bracket	Blank : W/O gauge
NR200L4	: 0.5~4kgf/cm ²	02 : 1/4"	N : NPT	B : W/I bracket	G : W/I gauge
NR200L2	: 0.5~2kgf/cm ²		R : Rc		

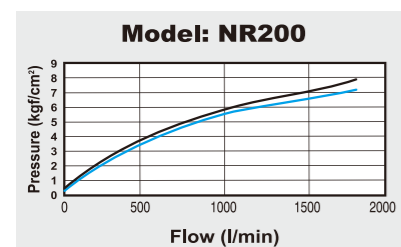
*Please contact our sales for non-relieving type.

*For non-relieving type, the secondary pressure is not allowed to be exhausted when it is higher than setting pressure.

Specifications

Model	NR200	NR200L4	NR200L2
Port size		1/8", 1/4"	
Fluid		Compressed air	
Regulator construction		Diaphragm	
Body material		Aluminum die-cast	
Operating pressure range	0.5 ~ 8 kgf/cm ²	0.5 ~ 4 kgf/cm ²	0.5 ~ 2 kgf/cm ²
Max. inlet pressure		12 kgf/cm ²	
Max. flow rate l/min (ANR)		1500	
Ambient temperature		-10°C ~ 60°C	
Color of knob plate	Blue	Orange	Yellow
Net weight		205g	
Accessories		Plug	
Option		Pressure gauge, Mounting bracket set	

Flow chart

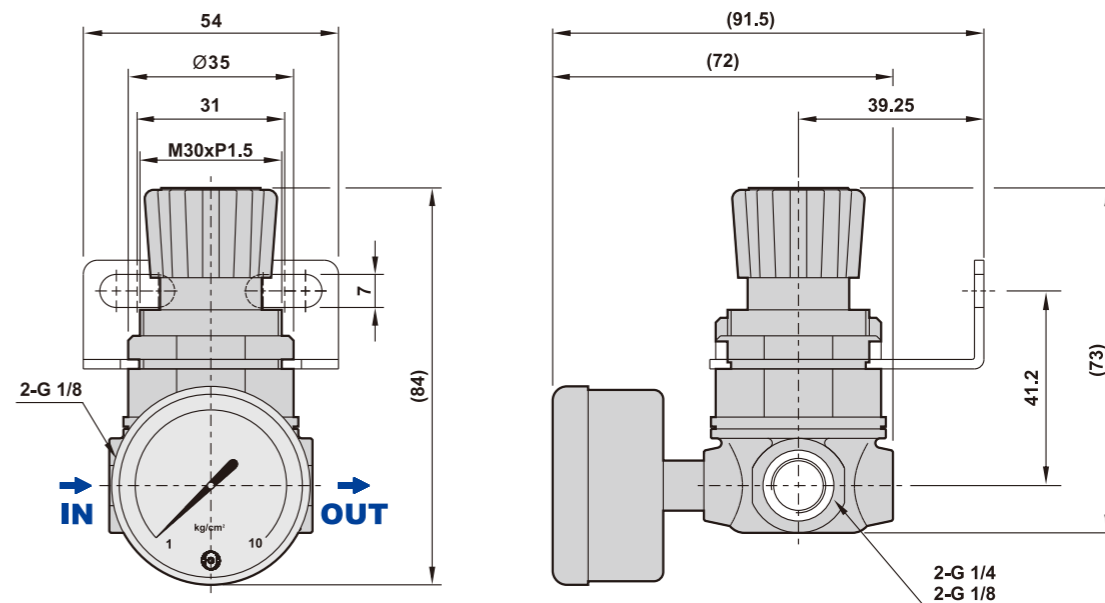


Note:

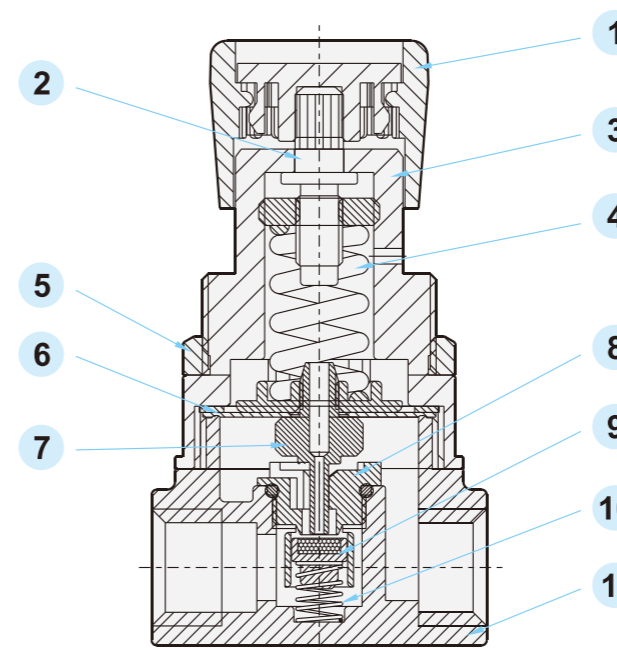
X axis: Flow (l/min)
 Y axis: Pressure (kgf/cm²)
 Blue line (P0) = Outlet pressure
 Black line (P1) = Inlet pressure
 P1-P0= Pressure range

Dimensions

NR200-01, 02



Construction



No.	Description	Material
1	Regulator knob	NY
2	Pressure regulating screw	Fe+Ni
3	Regulator base	NY+GF
4	Spring	Spring steel
5	Lock nut	NY+GF
6	Diaphragm	NBR70°
7	Regulating needle	AL
8	Positioning nut	POM
9	Plug	Cu
10	Spring	SUS
11	Body	ADC12