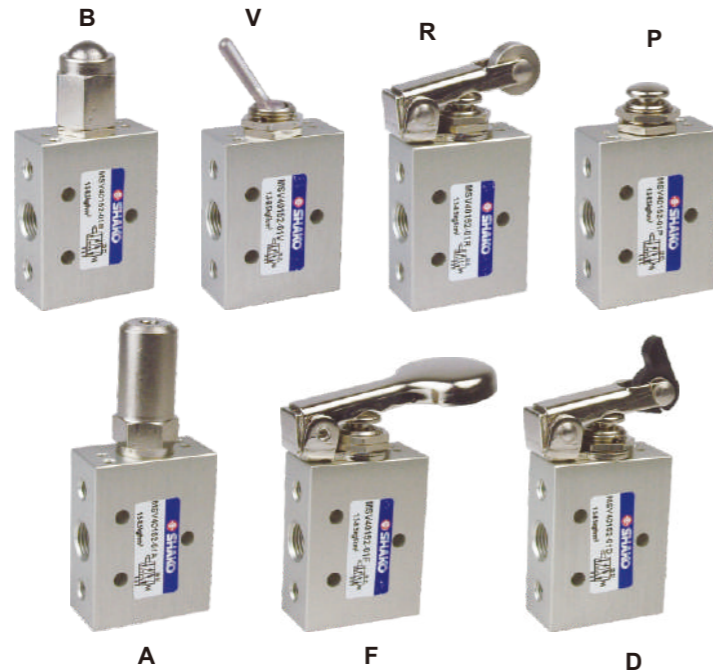


■ Features

- 7 kinds of installation.
- Panel bore size ϕ 12.



■ How to order

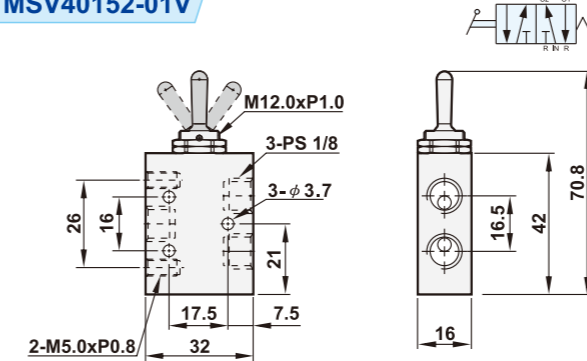
MSV40152 - 01	N	V
5/2 Way	Port size	Thread
	01 : 1/8"	Blank : G N : NPT R : Rc
		Operator
		V : Toggle lever B : Ball plunger R : Roller A : Air pilot P : Push button F : Finger button D : One way roller

■ Specifications

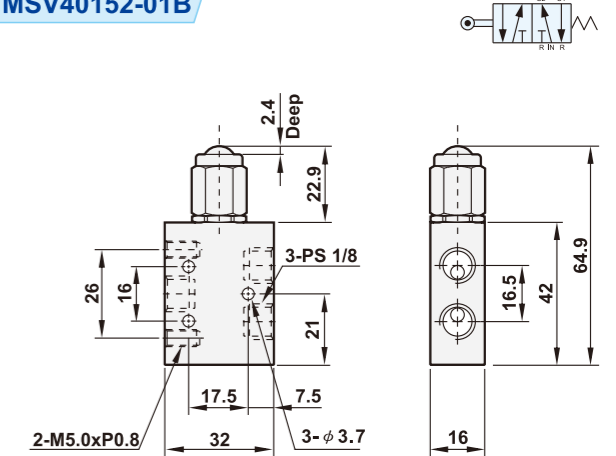
Model	MSV40152-01
Port size	1/8"
Body material	Aluminum alloy
Panel dimension	12mm
Fluid	Compressed air
Sectional area	6.3mm ²
Operating pressure range	0 ~ 9 kgf/cm ²
Air pilot operation	Starting pressure: 3.5 ~ 7.0 kgf/cm ²
Proof pressure	10 kgf/cm ²
Ambient temperature	-10°C ~ 60°C

■ Dimensions

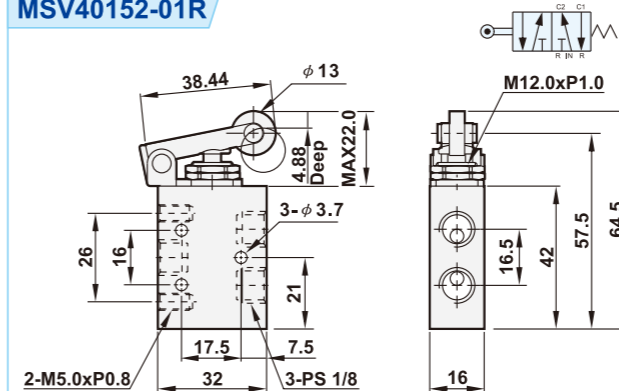
MSV40152-01V



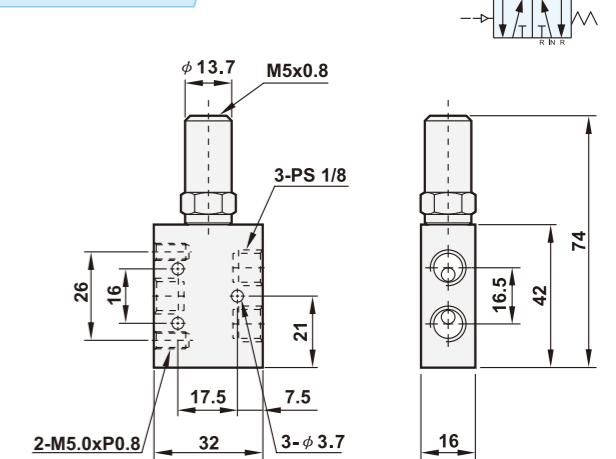
MSV40152-01B



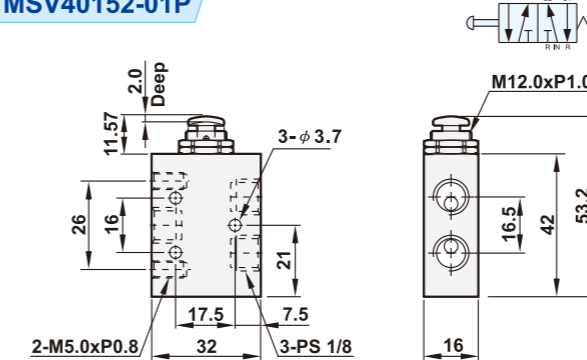
MSV40152-01R



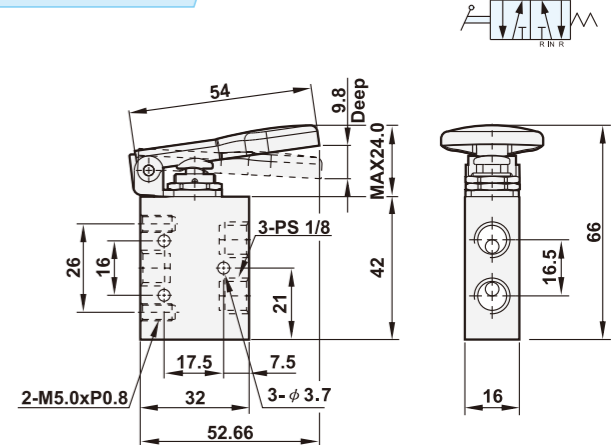
MSV40152-01A



MSV40152-01P



MSV40152-01F



MSV40152-01D

