

### Features

1. Pulse type membrane valve.
2. Specially designed for fine dust collection with mass flow and long life.
3. Quick acting.
4. Safe and durable.
5. Aluminum body. Piping adaptor is available to offer.

### Cautions

Humidity of fluid should stay in low status to avoid solidification damage when temperature is low.



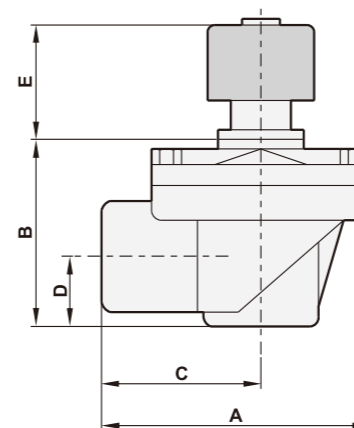
### How to order

<b>DC220</b>	<b>-</b>	<b>06</b>	<b>-</b>	<b>S1</b>	<b>D</b>
<b>Aluminum alloy Dust collector valve</b>	<b>Port size</b>	<b>Voltage</b>	<b>Coil type</b>		
	06 : 3/4"	S1 : 110VAC	Blank : Lead wire		
	08 : 1"	S2 : 220VAC	D : DIN		
	14 : 1 1/2"	S9 : 24VDC			
	20 : 2"				
	24 : 2 1/2"				
	30 : 3"				

### Specifications

Model	DC220					
Port size	3/4"	1"	1 1/2"	2"	2 1/2"	3"
CV value	11.2	18.5	43	60	120	130
Orifice	Ø21mm	Ø34mm	Ø42mm	Ø66mm	Ø66mm	Ø82mm
Body material	Aluminum alloy					
Operating pressure range	0.5 ~ 7.5 kgf/cm <sup>2</sup>					
Ambient temperature	-10°C ~ 85°C					
Electrical pulse length	60 m/s					
Peak pressure	3.5 kgf/cm <sup>2</sup>					
Total pulse length	80 m/s					
Open time	2.3 m/s					
Close time	20 m/s					
Volume per pulse	60 Ndm <sup>3</sup>					
Duty cycle	100%					
Coil type	DIN or lead wire					
Protection class	IP65 (DIN 40 050)					
Insulation class	F					
Voltage tolerance	±10%					
Standard voltage	220VAC, 110VAC, 24VDC, the other voltage are optional					

### Dimensions



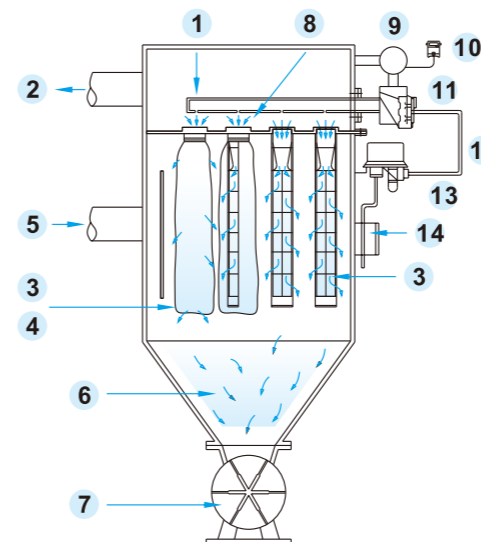
### Operating theory

1. The diaphragm is lifted to open the valve when coil is energized.
2. The diaphragm is dropped to close the valve when coil is not energized.
3. Diaphragm is changeable, open the valve to change broken diaphragm into new one.

Unit: mm

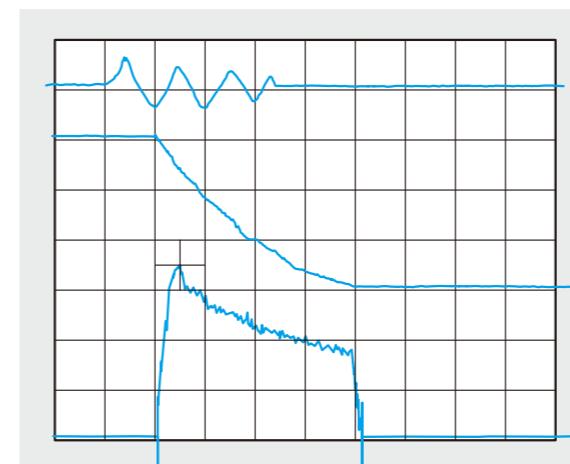
Model	Port size	A	B	C	D	E
DC220-06	3/4"	78	65	43	22	65
DC220-08	1"	92	80	52	37	65
DC220-14	1 1/2"	130	90	73	32	65
DC220-20	2"	186	145	103	46	73
DC220-24	2 1/2"	186	145	103	46	73
DC220-30	3"	228	170	125	55	73

### Material list



- |                                    |                                       |
|------------------------------------|---------------------------------------|
| 1. Compressed air jet              | 8. Win's tube                         |
| 2. Clean air exhaust               | 9. Air supply                         |
| 3. Filter housing                  | 10. Pressure switch                   |
| 4. Filter bag                      | 11. Diaphragm valve                   |
| 5. Dirty air intake                | 12. (Auxiliary)air control pipe       |
| 6. Dust collector hopper           | 13. Magnetic valve                    |
| 7. Rotary material discharge valve | 14. Solid state sequential controller |

### Diaphragm valve data chart



### Mounting

There are four directions selection for wire plug magnetic valve, the connection outlet shall face downward.

