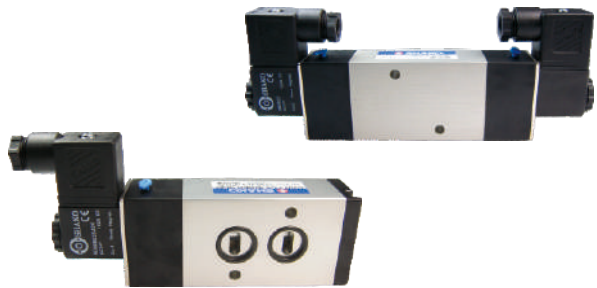


Features

1. Medium size, 30mm width, large flow rate.
2. Lockable manual override for easy operation.
3. Anodized aluminum body and strict quality control provide a long durability.
4. Coil nut is available, please refer to page 5-1.

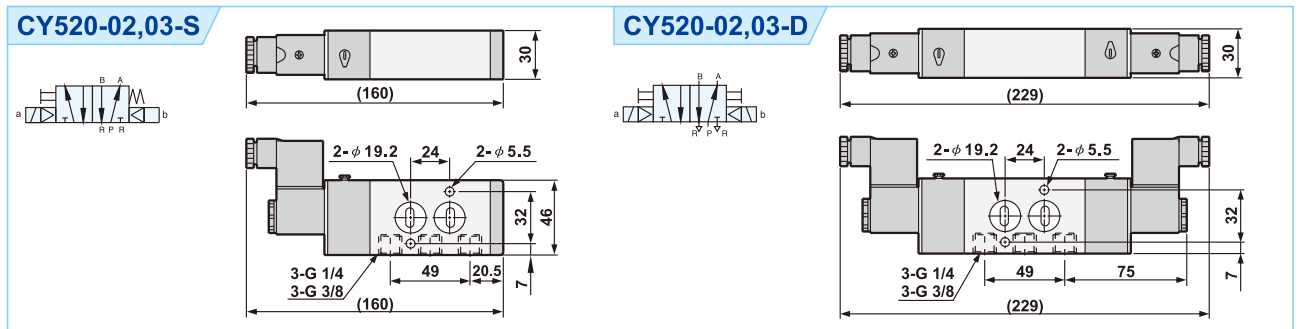


How to order

5/2 Way	Port size	Thread	Solenoid	Voltage	Led	Coil type
	02 : 1/4" 03 : 3/8"	Blank : G N : NPT R : Rc	S : Single solenoid D : Double solenoid	1 : 110VAC 2 : 220VAC 6 : 24VAC 7 : 12VDC 9 : 24VDC	Blank : W/O LED L : W/I LED	Blank : DIN F : Lead wire E1 : EX-proof 22mm width E2 : EX-proof 30mm width E3 : EX-proof CSA standard

* Please refer to page 5-10 for the details of ex-proof coil.

Dimensions



Specifications

Model	CY520-02-S	CY520-02-D	CY520-03-S	CY520-03-D
Port size	1/4"		3/8"	
Body material	Aluminum alloy			
Fluid	Compressed air			
Effective area	35mm ²			
Acting	Internal pilot			
Operating pressure range	1.5~8 kgf/cm ²			
Proof pressure	9.9 kgf/cm ²			
Ambient temperature	-10℃ ~ 50℃			
Duty cycle	100% ED			
Coil type	DIN (Standard)			
Protection class	IP65 (DIN 40 050)			
Insulation class	F			
Voltage tolerance	±10%			
Standard voltage	220VAC, 110VAC, 24VDC (The other voltage is optional)			
Net weight	420.5g	503.6g	412g	495g

Flow chart

