

BM Series 5/2, 5/3 Way Pilot Solenoid Valve

22mm width

■ Features

1. Medium size, 22mm width solenoid valve, large flow rate.
2. Lockable manual override for easy operation.
3. Anodized aluminum body and strict quality control provide a long durability.
4. Coil nut is available, please refer to page 5-1.



■ How to order

BM520 X - 02 N - S 2 L E1	Acting style	Port size	Thread	Solenoid	Voltage	Led	Coil type
520: 5/2 Way	Blank: Standard	02: 1/4"	Blank: G	S: Single solenoid	1: 110VAC	Blank: W/O LED	Blank: DIN
530: 5/3 Way	Blank: Closed center	03: 3/8"	N: NPT	D: Double solenoid	2: 220VAC	L: W/I LED	F: Lead wire
	X: Exhaust center	04: 1/2"	R: Rc		6: 24VAC		E1: EX-proof 22mm width
	Y: Pressurized center				7: 12VDC		E2: EX-proof 30mm width
					9: 24VDC		E3: EX-proof CSA standard

* Please refer to page 5-10 for the details of ex-proof coil.

■ How to order manifold

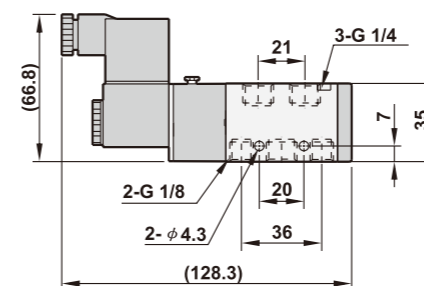
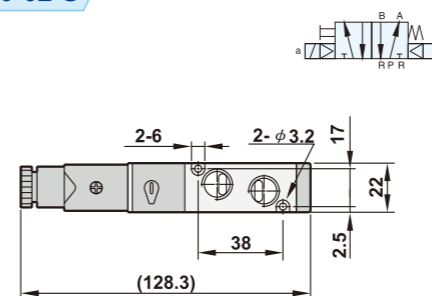
MFB520 - 02 N 02	Port size	Thread	Stations
	02: 1/4"	Blank: G	02: 2 Stations
	03: 3/8"	N: NPT	03: 3 Stations
	04: 1/2"	R: Rc	XX: XX Stations

■ Specifications

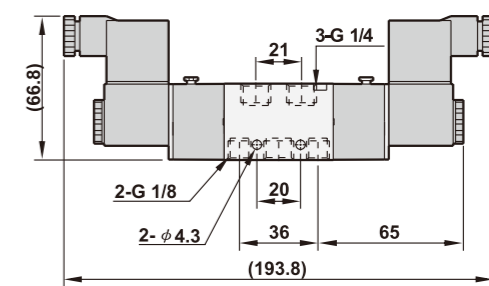
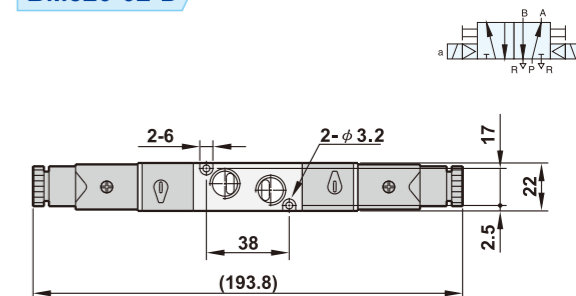
Model	BM520-02-S(D)	BM530-02-D	BM520-03-S(D)	BM530-03-D	BM520-04-S(D)	BM530-04-D
Port size	1/4", 1/8" (Exhaust ports)		3/8", 1/4" (Exhaust ports)		1/2"	
Body material	Aluminum alloy					
Fluid	Compressed air					
Acting	Internal pilot					
Effective area	18mm ²	14mm ²	30mm ²	18mm ²	50mm ²	30mm ²
Operating pressure range	2~8 kgf/cm ²					
Proof pressure	9.9 kgf/cm ²					
Ambient temperature	-10℃ ~ 60℃					
Duty cycle	100% ED					
Coil type	DIN (Standard)					
Protection class	IP65 (DIN 40 050)					
Insulation class	F					
Voltage tolerance	±10%					
Standard voltage	220VAC, 110VAC, 24VDC (The other voltage is optional)					
Net weight	235g(335g)	445g	410g(500g)	700g	590g(720g)	770g

■ Dimensions

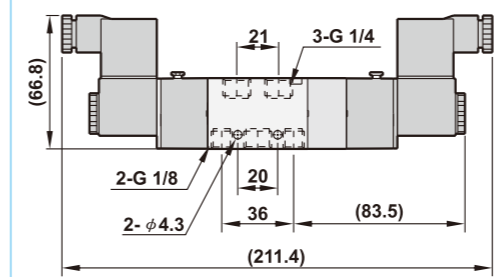
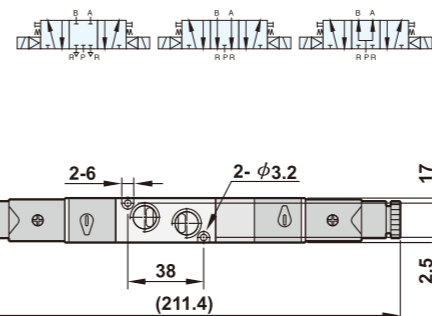
BM520-02-S



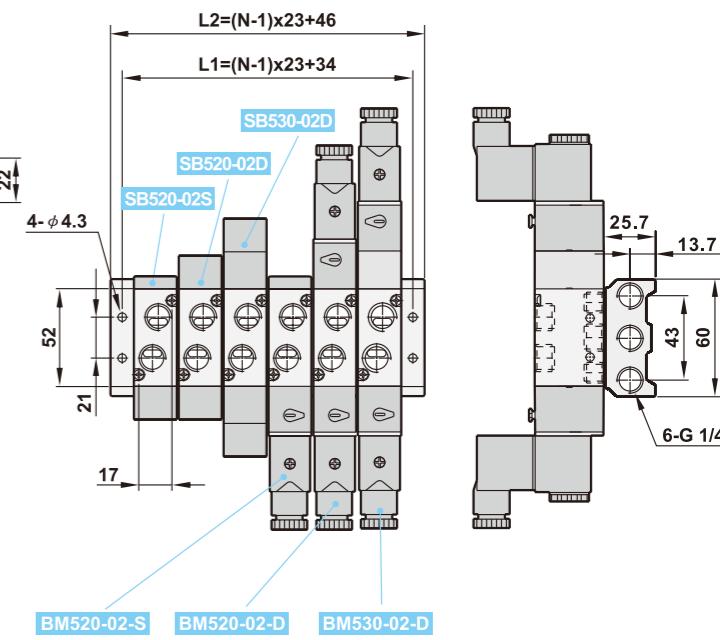
BM520-02-D



BM530(X)(Y)-02-D



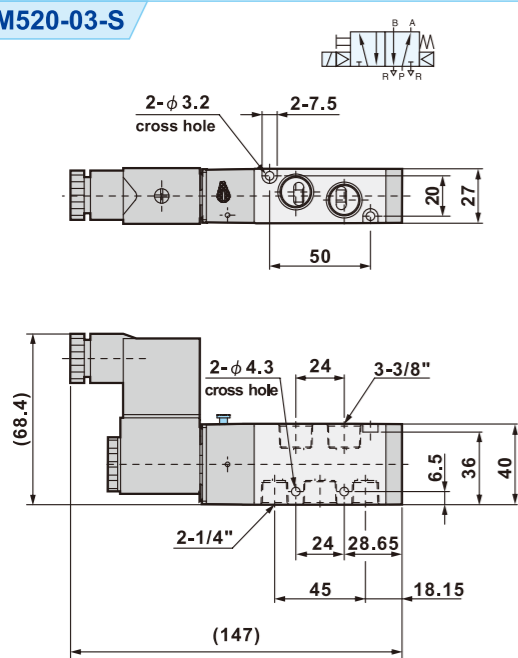
MFB520-0206



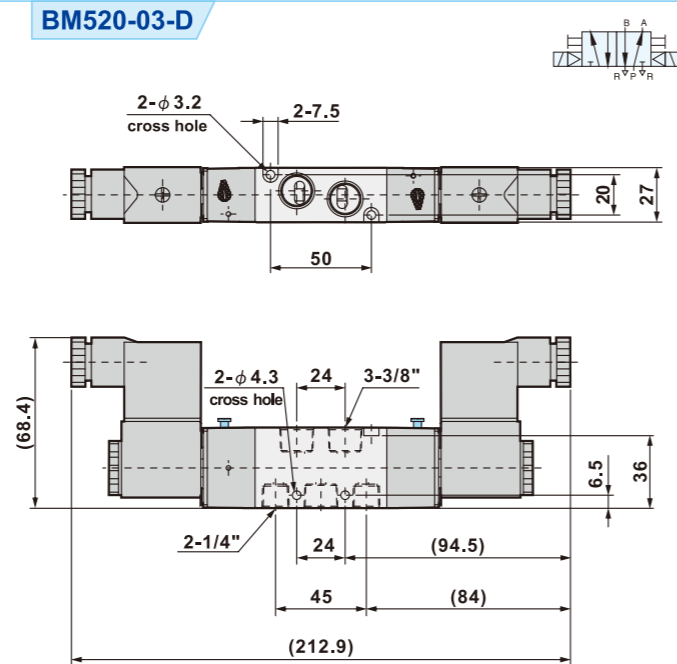
Number of station (N)	2	3	4	5	6	7	8	9	10
L1	57	80	103	126	149	172	195	218	241
L2	69	92	115	138	161	184	207	230	253

■ Dimensions

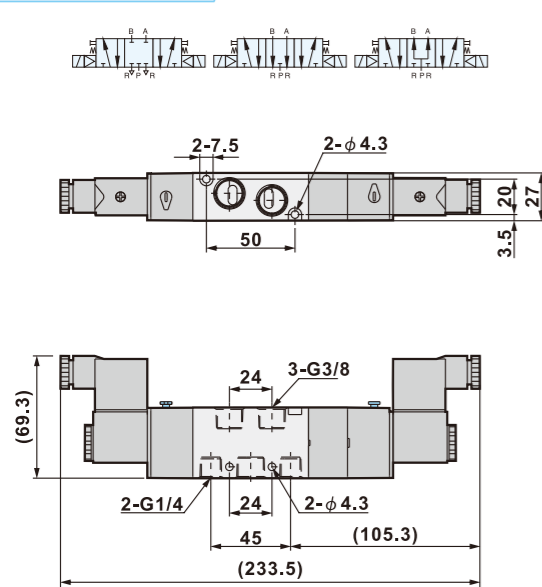
BM520-03-S



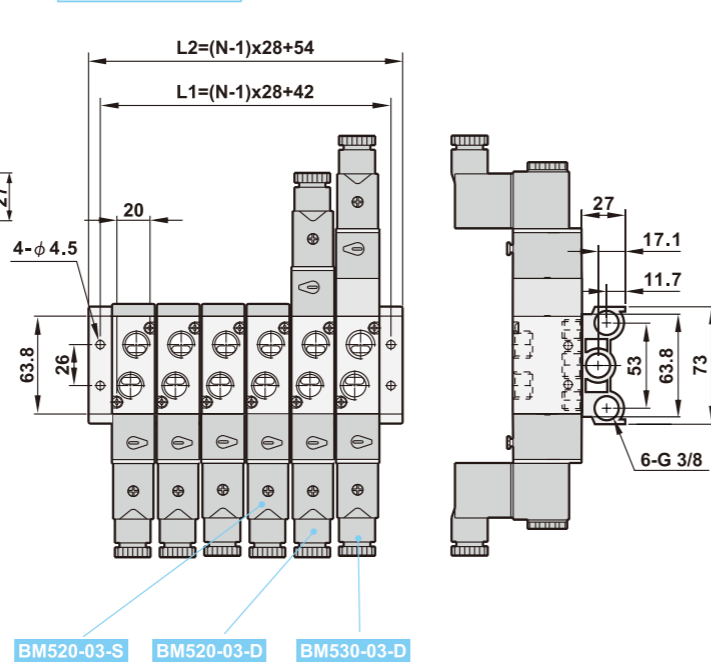
BM520-03-D



BM530(X)(Y)-03-D



MFB520-0306

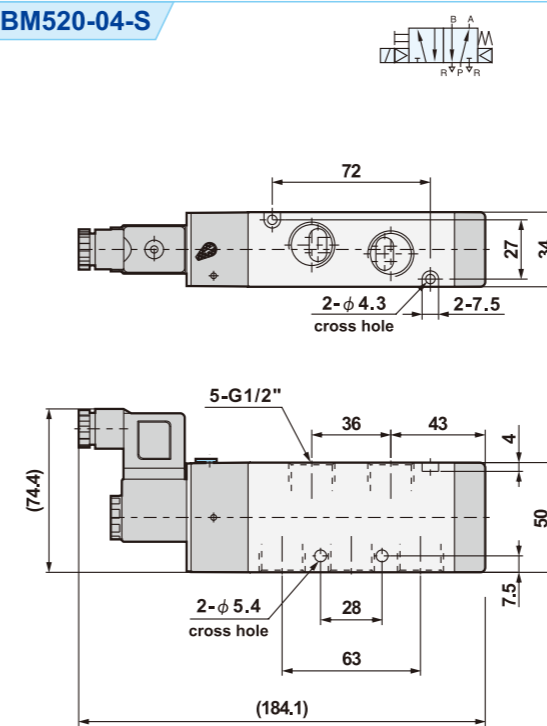


BM520-03-S BM520-03-D BM530-03-D

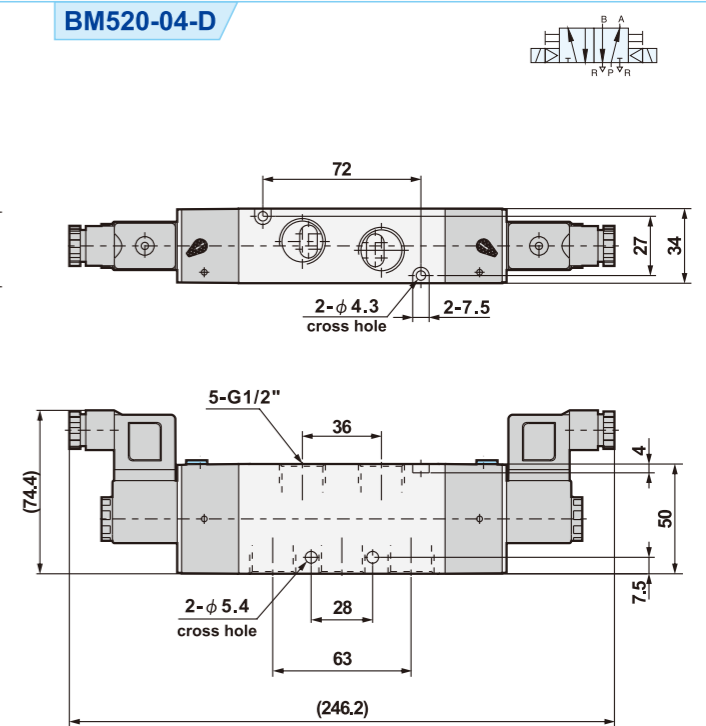
Number of station (N)	2	3	4	5	6	7	8	9	10
L1	70	98	126	154	182	210	238	266	294
L2	82	110	138	166	194	222	250	278	306

■ Dimensions

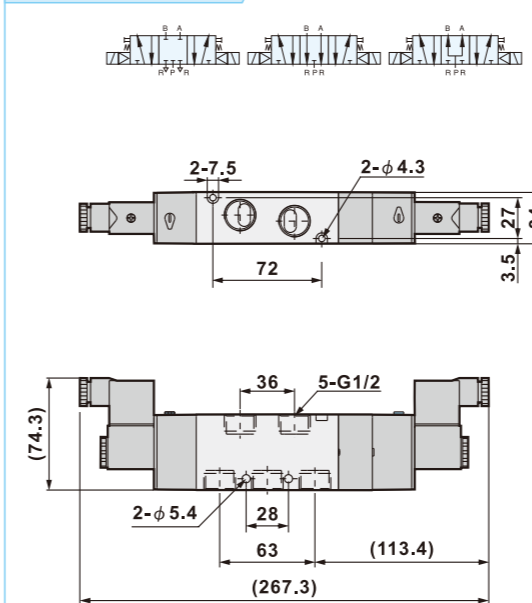
BM520-04-S



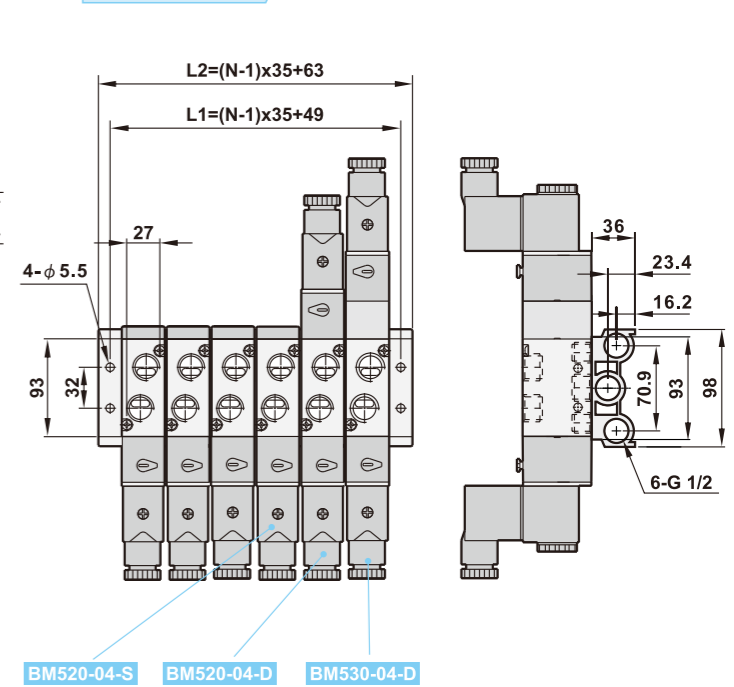
BM520-04-D



BM530(X)(Y)-04-D



MFB520-0406



BM520-04-S BM520-04-D BM530-04-D

Number of station (N)	2	3	4	5	6	7	8	9	10
L1	84	119	154	189	224	259	294	329	364
L2	98	133	168	203	238	273	308	343	378