

Features

1. High temperature resistant thermoplastic contains 30% PC.
2. Brass winding H class heat resistant up to 200°C according to IEC317-8.
3. Built-in magnetic yoke made by low carbon magnet.



Order code

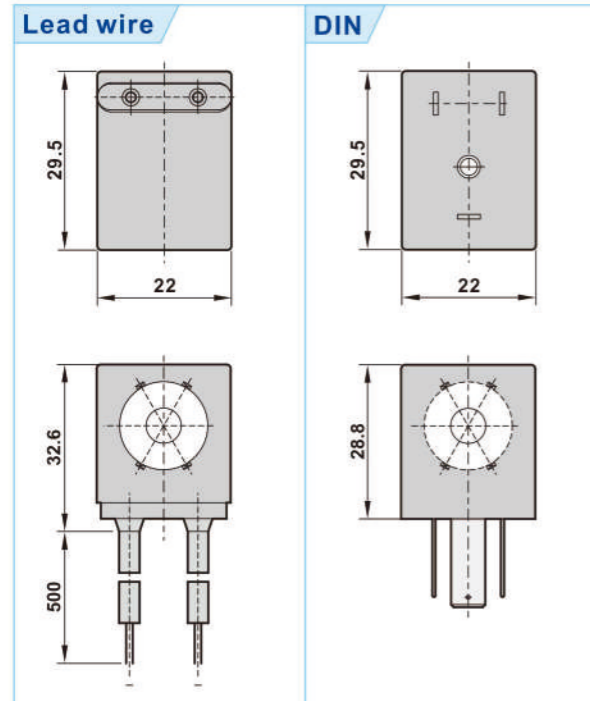
Voltage	Order code	Remarks
110VAC	SA10822DFSN	Standard (6.0VA)
220VAC	SA20822DFSN	Standard (6.0VA)
24VDC	SD90822DJSN	Standard (4.8W)
12VDC/24VAC	SX70822DJNN	Option (4.6W)

*Special voltage on your request

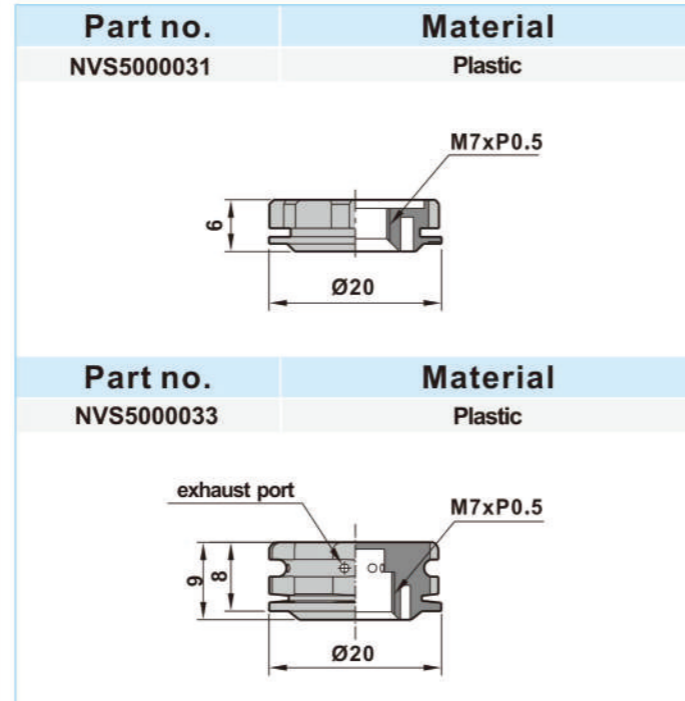
Specifications

Coil width	22mm
Voltage tolerance	±10%
Duty cycle	100% ED
Ambient temperature	-20°C ~ 50°C
Isolation class of material	F (according to Din VDE0580)
Degree of protection	IP65 (according to EN60529)
Moulding material	Thermoplastic (PA, PPS)
Rated power DC	4.8W (Option 2.5W)
Rated power AC (60Hz)	4.9VA
Rated power AC (50Hz)	6.0VA
Type	DIN

Dimensions

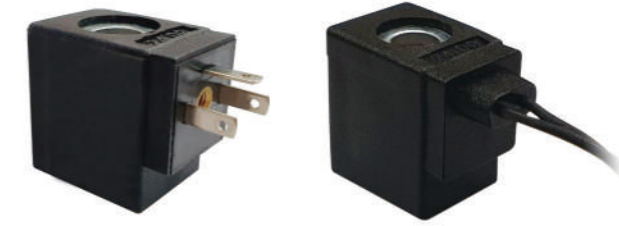


Coil nuts



Features

1. High temperature resistant thermoplastic contains 30% PC.
2. Brass winding H class heat resistant up to 200°C according to IEC317-8.
3. Built-in magnetic yoke made by low carbon magnet.



Order code

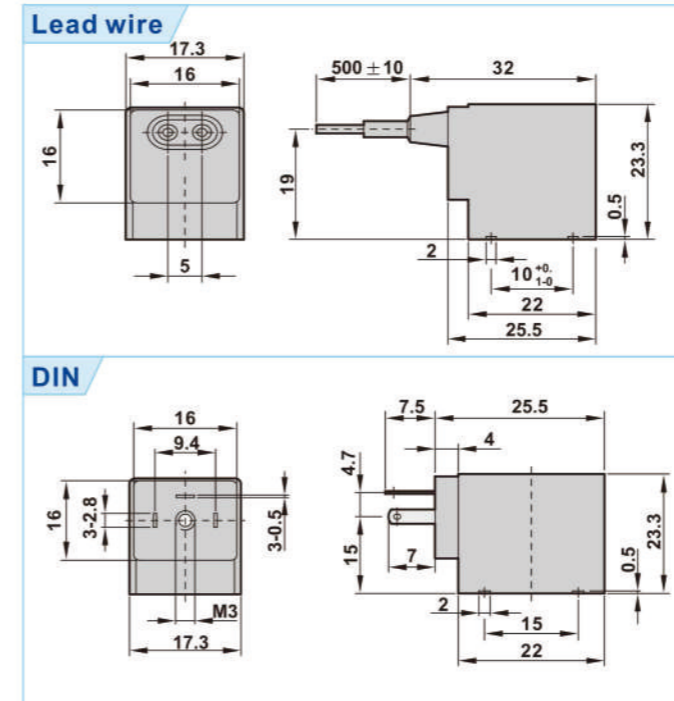
Voltage	Order code	Type	Remarks
220VAC	SA20716FCSK	Lead wire	Standard (3.6VA)
220VAC	SA20716DCSK	DIN	Option (3.6VA)
110VAC	SA10716FCSK	Lead wire	Standard (3.6VA)
110VAC	SA10716DCSK	DIN	Option (3.6VA)
24VAC	SA90716FXSK	Lead wire	Standard (3.6VA)
24VAC	SA90716DXSK	DIN	Option (3.6VA)
24VDC	SD90716FESK	Lead wire	Standard (3.5W)
24VDC	SD90716DESK	DIN	Option (3.5W)
12VDC	SD70716FESK	Lead wire	Standard (2.5W)
12VDC	SD70716DESK	DIN	Option (2.5W)

*Special voltage on your request

Specifications

Coil width	16mm
Voltage tolerance	±10%
Duty cycle	100% ED
Ambient temperature	-20°C ~ 50°C
Isolation class of material	F (according to Din VDE0580)
Degree of protection	IP65 (according to EN60529)
Moulding material	Thermoplastic (PA, PPS)
Rated power DC	2.5W
Rated power AC(60Hz)	4.5VA
Rated power AC(50Hz)	4.0VA
Type	Lead wire (Standard) or DIN(Option)

Dimensions



Coil nuts

